

**METALBESTOS®**

**PLATINUM SERIES™**

**CHIMNEY SYSTEMS**

**ULTRA-TEMP® HT** - Tested up to 2100°  
*Stainless Steel*

**ULTRA-TEMP®** - Tested up to 1700°  
*Stainless Steel*

**GALVA-TEMP® HT** - Tested up to 2100°  
*Galvanized Outer*

**GALVA-TEMP®** - Tested up to 1700°  
*Galvanized Outer*

**DSP STOVE PIPE** - Connector System

**PELLET PIPE™** - for Pellet & Corn Appliances

**INCLUDES**

**10" - 24"**  
**Galva-Temp® Chimney**

**16" - 24"**  
**Ultra-Temp® Chimney**



**DOUBLE WALL INSULATED CHIMNEY SYSTEMS**  
"THE COOLEST UNDER THE HOTTEST CONDITIONS..."

**SELKIRK®**

	PAGE
<b>ULTRA-TEMP®/ULTRA-TEMP® HT/GALVA-TEMP® HT/GALVA-TEMP®</b> . . . . .	3
Chimney Parts Guide . . . . .	6
Flashing for Various Roof Pitches . . . . .	15
Chimney Selection Charts . . . . .	16
Common Chimney Installations . . . . .	18
<b>LARGE DIAMETER Chimney</b> . . . . .	20
<b>DSP STOVE PIPE</b> . . . . .	23
<b>MODEL VP PELLET PIPE™</b> . . . . .	27
Model VP Pellet Pipe™ for Pellet and Corn Appliances Parts Guide . . . . .	28
Common Model VP Pellet Pipe™ Installations . . . . .	31

## CONDITION OF SALE

**Guarantee**

All venting products in this catalog are guaranteed to be free from defects in workmanship and material. Any products found defective may be returned at no charge (authorization required).

**Prices and Discounts**

See our price list and discount sheet for current pricing information. Orders will be invoiced at prices in effect at the time the order is placed. All Selkirk L.L.C. products may be combined to achieve required discount levels. All prices subject to change without notice.

**Credit**

Shipments will be made on open accounts to firms who have established credit ratings with us.

**Responsibility**

Selkirk L.L.C. cannot assume responsibility for loss or damages to products in transit or for delays of carriers delivering our products. In case of loss, visible or concealed damage, you as a consignee must report such loss to carrier at once and file a claim.

**Returned Goods**

No merchandise may be returned for credit without prior written permission, shipping instructions and return authorization number. All items authorized for return must be in new and resalable condition and transportation charges must be prepaid. A 25% restocking charge will be made on all returns to cover the costs of handling and inspection. Up to a 15% refurbishment charge will be applied as needed.

**Broken Cartons**

Any order requiring quantities of product less than a complete carton will be charged an additional fee.

**Transportation**

Method of transportation and shipping point will be decided by Selkirk L.L.C. If our customer requests special routing, the order will be shipped and prepaid. The difference between the two rates will be charged back.

**Freight**

All Shipments are F.O.B. our facilities.

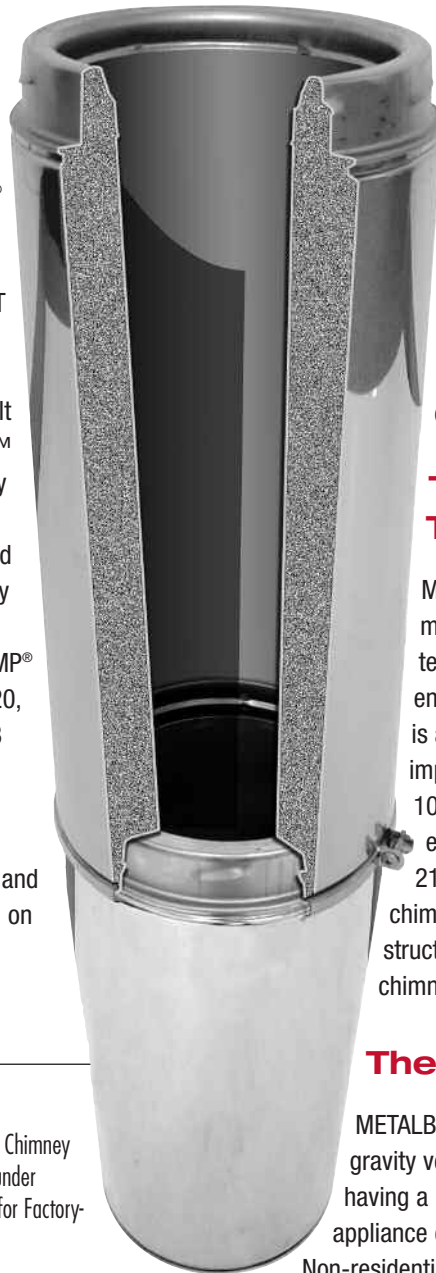
**METALBESTOS®**

**PLATINUM SERIES™ Chimney**

The rugged all-fuel chimney that makes every installation simple, fast and produces superior performance.

**Metalbestos® Chimney Systems Meet All UL® Requirements**

This catalog includes the ULTRA-TEMP® Type HT (5", 6", 7" & 8" size), GALVA-TEMP® Type HT (6", 7" & 8") and ULTRA-TEMP® (10", 12" & 14" size) chimneys. ULTRA-TEMP® - Type HT and GALVA-TEMP® - Type HT have been tested to 2100°F. This is the high temperature test option of Underwriters' Laboratories Safety Standard for Factory-Built Chimneys, UL®-103. The PLATINUM SERIES™ Chimney sizes 5, 6, 7 and 8 inch are not only listed as per UL®-103, but these sizes are listed as a "Type HT Chimney," having passed additional exhaustive and stringent laboratory tests called for in the optional "high temperature" portion of UL®-103. ULTRA-TEMP® and GALVA-TEMP® sizes 10, 12, 14, 16, 18, 20, 22 and 24 inch have been tested to UL®-103 maximum temperature of 1700°F and also comply with all UL®-103 requirements. Installation and maintenance instructions for METALBESTOS® Chimneys provide installers and users with detailed and accurate information on important aspects of operating safety and performance.



**The PLATINUM SERIES™ - Type HT Chimneys are Designed Specifically for "Airtight" Stoves**

METALBESTOS® - Type HT Chimney is ideal for venting residential heating appliances burning wood, #2 oil, natural and LP gas. It has been specifically designed for today's modern, high-efficiency "airtight" wood stoves. It is also suitable for wood burning heaters and for combination fuel central heating furnaces.

**Type HT Temperature Tests**

METALBESTOS® - Type HT Chimney is tested for maximum continuous operation at 1000°F flue gas temperature at two inches, air space clearance, to enclosing combustible test structure. The chimney is also tested at 1400°F for a one hour period. The important Type HT tests consist of three firings at 1000°F, long enough to obtain steady conditions, each followed immediately by 10 minutes at 2100°F. These tests were developed to assess a chimney's ability to prevent product damage or structural hazard during brief periods of excessive chimney temperature.

**The Multi-Fuel Chimney**

METALBESTOS® - Type HT Chimneys are designed for gravity venting only. They are usable on any appliance having a power burner (such as an oil furnace) if that appliance operates with neutral or negative draft at its outlet. Non-residential appliances which may cause positive pressure in the chimney should use a Selkirk Metalbestos® Model PS or IPS commercial system.



**IMPORTANT**

This catalog references PLATINUM SERIES™ Chimney Systems with maximum test temperatures under Underwriters' Laboratories Safety Standard for Factory-Built Chimneys (UL®-103).

**ULTRA-TEMP® HT  
GALVA-TEMP® HT**

**ULTRA-TEMP®  
GALVA-TEMP®**

Diameter Sizes:	5", 6", 7" & 8"	10", 12", 14", 16", 18", 20", 22" & 24".
Part Identification:	Letter UT and GT	Letter U and G
Clearances:	2" of Airspace to Combustibles	2" of Airspace to Combustibles
Temperature Ratings:	2100°F (Maximum Test 10 min.) 1400°F (Maximum for 60 min.) 1000°F (Maximum Continuous Operating Temperatures)	1700°F (Maximum Test 10 min.) 1400°F (Maximum for 60 min.) 1000°F (Maximum Continuous Operating Temperatures)

**ULTRA-TEMP® and GALVA-TEMP® Temperature Tests**

The ULTRA-TEMP® and GALVA-TEMP® Chimney in 10 through 24 inch sizes is also intended for normal continuous use not to exceed 1000°F. The laboratory tests for these larger sizes involve a total of four ten-minute firings at 1700°F.

	OUTER	INNER
ULTRA-TEMP® - 5", 6", 7" & 8"	430	304
ULTRA-TEMP® - 10" – 24"	430	430
GALVA-TEMP® - 6" – 24"	6	430

**Unparalleled Engineering and Design**

Heavy duty stainless steel is used for all system components. The smooth stainless steel inner liner produces rapid stabilization of strong draft and heats fast to minimize condensation as waste gases are exhausted. The outer casing carries structural loads leaving the inner pipe free to expand without stress. The solid pack Low-K insulation in the pipe assures the highest possible inner wall temperature by preventing circulation of air between inner and outer chimney walls. Solid pack insulation blocks the escape of heated air, a problem which air-insulated designs cannot avoid.

**Insulation Factors**

Special augered in mineral wool insulation filling the space between walls is only one inch thick, yet it provides 17 times the insulating value of brick.

This optimum density of insulation stops expansion noises and resists and contains surges of heat. This

allows the system to be enclosed with only two inch clearance to combustibles. It's a special material that is thoroughly tested to meet our own strict standards. The "solid pack" density chimney pipe insulation comprises about 85% air. The mixture of extremely fine fibers trap this air in the pores of the insulation and also blocks radiation heat transfer. This accounts for the outstanding effectiveness of fully insulated Metalbestos® chimneys.

**Installation Ease**

A Metalbestos® Chimney system can easily be installed by one man. The lightweight pipe with threaded internal couplers locks together in seconds with a 1/8 turn. Locking Bands are furnished

with every pipe length to assure complete joint security during cleaning or where the chimney must be sloped between offsets.

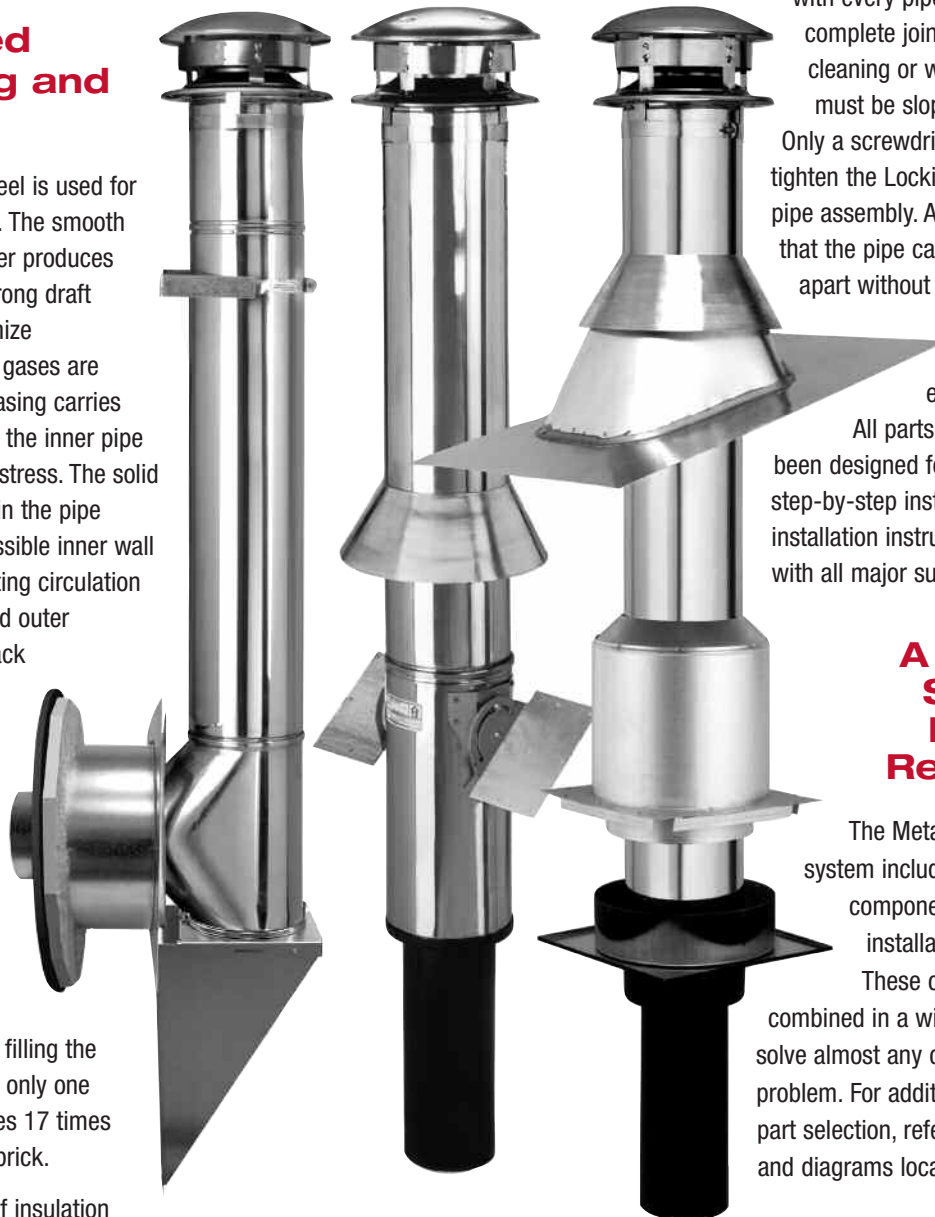
Only a screwdriver is needed to tighten the Locking Band for normal pipe assembly. A further advantage is that the pipe can be quickly taken apart without damage to the joints and can be reinstalled as easily as the first time.

All parts and accessories have been designed for the most simple step-by-step installation. General installation instructions are furnished with all major support packages.

**A System to Satisfy Any Installation Requirement**

The Metalbestos® Chimney system includes a variety of components to meet every installation requirement.

These components may be combined in a wide variety of ways to solve almost any chimney installation problem. For additional information on part selection, refer to the guide pages and diagrams located in this catalog.



**ULTRA-TEMP HT CHIMNEY KITS**

Four basic Chimney Kits designed around one of the standard support systems. Select the kit that is right for your installation along with the required insulated pipe sections and you'll have what you need to complete most installations.

**Roof Termination Kit (RTK)**

Includes the basic components for a standard installation. Contents: CT, AF-6 & SC

Product No.	Part No.	Dia.	Description
206600	6T-RTK	6"	Roof Termination Kit (2/12 - 6/12)
208600	8T-RTK	8"	Roof Termination Kit (2/12 - 6/12)



**Flat Ceiling Support Kit (FCK)**

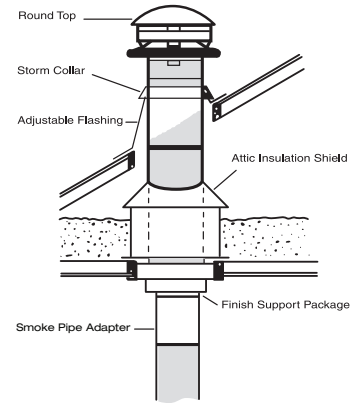
Provides the support package and termination parts for a chimney that is supported by a flat ceiling and passes through an attic area and penetrates the roof. Just add Pipe Lengths and, the Flat Ceiling Support Kit (FCK) has all necessary parts for complete installation. However, depending upon your roof design and the position of your chimney on the roof, it may be necessary to install a Roof Brace Kit to provide required support for your chimney above the roof.

An Attic Insulation Shield is a required part of the installation even if you have no insulation in the area where your chimney passes through the attic. The only exception to this AIS installation is if you install a full enclosure around the chimney in the attic area at the minimum two inch clearance.

Product No.	Part No.	Dia.	Description
206620	6T-FCK	6"	Flat Ceiling Support Kit
208620	8T-FCK	8"	Flat Ceiling Support Kit



- Contents:**
- Round Top CT
  - Attic Insulation Shield AIS
  - Storm Collar SC
  - Finish Support Pkg. FSP
  - Adjustable Flashing AF-6
  - Smoke Pipe Adapter DSAC



**Pitched Ceiling Support Kit (PCK)**

For installation of a chimney in a cathedral or pitched ceiling such as standard A-Frame construction.

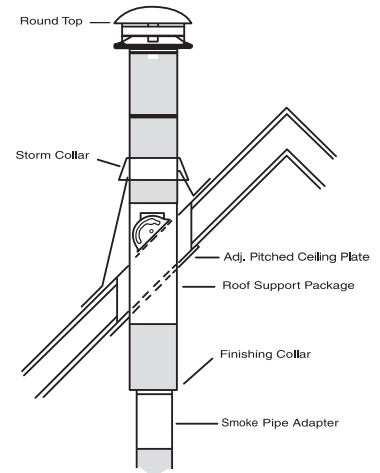
The Pitched Ceiling Support Kit provides all necessary parts for a complete installation with the exception of the required Insulated Pipe Lengths and Adjustable Flashing (AF). Selection of the Adjustable Flashing is determined by the pitch of your roof as explained on page 16.

In calculating the number of insulated Pipe Lengths your chimney run requires, note that the Roof Support Package (RSP) comes with one 18" pipe length as part of the support.

Product No.	Part No.	Dia.	Description
206621	6T-PCK	6"	Pitched Ceiling Support Kit
208621	8T-PCK	8"	Pitched Ceiling Support Kit



- Contents:**
- Round Top CT
  - Storm Collar SC
  - Finishing Collar FC
  - Roof Support Pkg. RSP
  - Adj. Pitched Ceiling Plate PCPAJ
  - Smoke Pipe Adapter DSAC



**Thru-the-Wall Support Kit (TWK)**

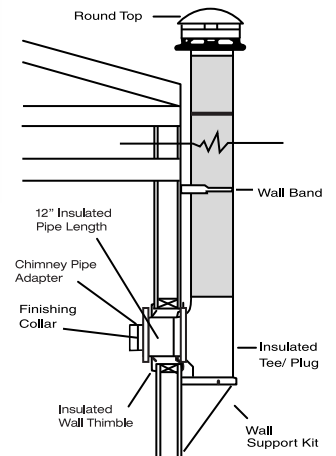
For a wall-supported chimney system with a horizontal connector passing through an exterior wall, connecting to a Tee and running vertically up the exterior wall to termination above the roof line. The Thru-the-Wall Support Kit provides all necessary parts for a complete installation with the exception of required Insulated Pipe Lengths to reach your desired chimney height.

One Wall Band (WB) is included in the kit. Additional Wall Bands could be required if your vertical chimney run is more than 16 feet high. In the event that your vertical chimney run penetrates the roof eave, your installation could also require an Adjustable Flashing (AF) and Storm Collar (SC).

Product No.	Part No.	Dia.	Description
206622	6T-TWK	6"	Thru-the-Wall Support Kit
208622	8T-TWK	8"	Thru-the-Wall Support Kit



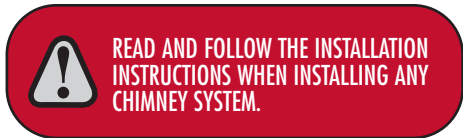
- Contents:**
- Round Top CT
  - 12" Insulated Pipe Length T-12
  - Wall Band WB
  - Insulated Tee/Plug IT
  - Finishing Collar FC
  - Wall Support Kit WSK
  - Chimney Pipe Adapter CPA
  - Insulated Wall Thimble IWT



**USE DSP STOVE PIPE FOR OPTIMUM SYSTEM PERFORMANCE**

**CHIMNEY PARTS GUIDE**

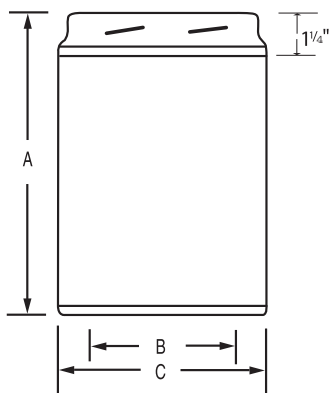
The following section offers pictorial references, specifications and a brief description of major components to aid in the design of an Ultra-Temp - Type HT, Galva-Temp - Type HT, Ultra-Temp, and Galva-Temp Chimney System.



**Insulated Pipe**

**ULTRA-TEMP®**

**NEW lengths NOW available!**



**Note:**

All insulated pipe lengths are furnished with a Locking Band.

**ULTRA-TEMP - TYPE HT**

Size	Product No.	Part No.	A	B	C
5"	205006U	5UT-6	6"	5"	7"
	205009U	5UT-9	9"	5"	7"
	205018U	5UT-18	18"	5"	7"
	205036U	5UT-36	36"	5"	7"

**ULTRA-TEMP - TYPE HT**

Size	Product No.	Part No.	A	B	C
6"	206006U	6UT-6	6"	6"	8"
	206009U	6UT-9	9"	6"	8"
	206012U	6UT-12	12"	6"	8"
	206018U	6UT-18	18"	6"	8"
	206024U	6UT-24	24"	6"	8"
	206036U	6UT-36	36"	6"	8"
206148U	6UT-48	48"	6"	8"	

**ULTRA-TEMP - TYPE HT**

Size	Product No.	Part No.	A	B	C
7"	207006U	7UT-6	6"	7"	9"
	207009U	7UT-9	9"	7"	9"
	207012U	7UT-12	12"	7"	9"
	207018U	7UT-18	18"	7"	9"
	207024U	7UT-24	24"	7"	9"
	207036U	7UT-36	36"	7"	9"
	207148U	7UT-48	48"	7"	9"

**ULTRA-TEMP - TYPE HT**

Size	Product No.	Part No.	A	B	C
8"	208006U	8UT-6	6"	8"	10"
	208009U	8UT-9	9"	8"	10"
	208012U	8UT-12	12"	8"	10"
	208018U	8UT-18	18"	8"	10"
	208024U	8UT-24	24"	8"	10"
	208036U	8UT-36	36"	8"	10"
	208148U	8UT-48	48"	8"	10"

**ULTRA-TEMP**

Size	Product No.	Part No.	A	B	C
10"	210006U	10U-6	6"	10"	12"
	210009U	10U-9	9"	10"	12"
	210012U	10U-12	12"	10"	12"
	210018U	10U-18	18"	10"	12"
	210024U	10U-24	24"	10"	12"
	210036U	10U-36	36"	10"	12"

**ULTRA-TEMP**

Size	Product No.	Part No.	A	B	C
12"	212006U	12U-6	6"	12"	14"
	212009U	12U-9	9"	12"	14"
	212012U	12U-12	12"	12"	14"
	212018U	12U-18	18"	12"	14"
	212024U	12U-24	24"	12"	14"
	212036U	12U-36	36"	12"	14"

**ULTRA-TEMP**

Size	Product No.	Part No.	A	B	C
14"	214006U	14U-6	6"	14"	16"
	214009U	14U-9	9"	14"	16"
	214012U	14U-12	12"	14"	16"
	214018U	14U-18	18"	14"	16"
	214024U	14U-24	24"	14"	16"
	214036U	14U-36	36"	14"	16"

**LOCKING BAND**

Product No.	Part No.
205450	5T-LB
206450	6T-LB
207450	7T-LB
208450	8T-LB
210450	10S-LB
212450	12S-LB
214450	14S-LB



**Large Diameter Platinum Series™ Galva-Temp® now available in 16" and 18" diameter. 20", 22" and 24" diameter and stainless steel outer wall available by special order. For more information see page 20.**

**Insulated Pipe**

**GALVA-TEMP®**

**NEW lengths NOW available!**

**GALVA-TEMP - TYPE HT**

Size	Product No.	Part No.	A	B	C
<b>6"</b>	206006G	6GT-6	6"	6"	8"
	206009G	6GT-9	9"	6"	8"
	206018G	6GT-18	18"	6"	8"
	206036G	6GT-36	36"	6"	8"
	206148G	6GT-48	48"	6"	8"

**GALVA-TEMP - TYPE HT**

Size	Product No.	Part No.	A	B	C
<b>8"</b>	208006G	8GT-6	6"	8"	10"
	208009G	8GT-9	9"	8"	10"
	208018G	8GT-18	18"	8"	10"
	208036G	8GT-36	36"	8"	10"
	208148G	8GT-48	48"	8"	10"

**GALVA-TEMP**

Size	Product No.	Part No.	A	B	C
<b>12"</b>	212012G	12GT-12	12"	12"	14"
	212018G	12GT-18	18"	12"	14"
	212024G	12GT-24	24"	12"	14"
	212036G	12GT-36	36"	12"	14"

**GALVA-TEMP - TYPE HT**

Size	Product No.	Part No.	A	B	C
<b>7"</b>	207006G	7GT-6	6"	7"	9"
	207009G	7GT-9	9"	7"	9"
	207018G	7GT-18	18"	7"	9"
	207036G	7GT-36	36"	7"	9"
	207148G	7GT-48	48"	7"	9"

**GALVA-TEMP**

Size	Product No.	Part No.	A	B	C
<b>10"</b>	210012G	10GT-12	12"	10"	12"
	210018G	10GT-18	18"	10"	12"
	210024G	10GT-24	24"	10"	12"
	210036G	10GT-36	36"	10"	12"

**GALVA-TEMP**

Size	Product No.	Part No.	A	B	C
<b>14"</b>	214012G	14GT-12	12"	14"	16"
	214018G	14GT-18	18"	14"	16"
	214024G	14GT-24	24"	14"	16"
	214036G	14GT-36	36"	14"	16"

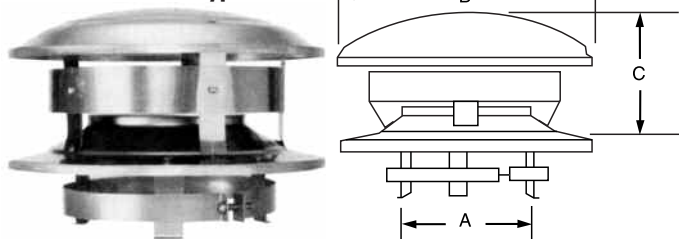
**Round Top**

Part of the chimney system roof assembly, the Round Top is designed with a dome to exclude rain and leaves and a lower skirt to deflect wind for proper chimney draft.

In the PLATINUM SERIES Type HT Chimney (5", 6", 7" and 8" sizes) the Round Top is designed with three legs that slide down over the outside of the chimney. A cinch band is then positioned over the legs and tightened to hold the top firmly in place. This design makes cap removal for cleaning a breeze.

In the ULTRA-TEMP and GALVA-TEMP chimney (10", 12" and 14" sizes) the Round Top is designed with a squeeze collar that fits inside the chimney pipe. The squeeze collar expands as a set screw is tightened to hold the top firmly in place.

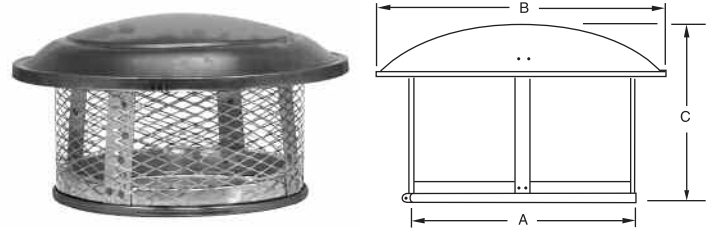
**ULTRA-TEMP Type HT**



**ULTRA-TEMP-TYPE HT**

Product No.	Part No.	A	B	C
205800	5T-CT	7"	10"	5"
206800	6T-CT	8"	12"	5½"
207800	7T-CT	9"	14"	6¼"
208800	8T-CT	10"	16"	7"

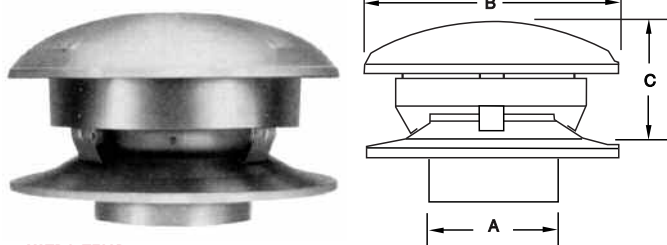
**Model EZCT/S**



**MODEL EZCT/S**

Product No.	Part No.	A	B	C
210804	10S-EZCTS	12"	16"	10"
212804	12S-EZCTS	14"	20"	12"
214804	14S-EZCTS	16"	20"	12"

**ULTRA-TEMP**



**ULTRA-TEMP**

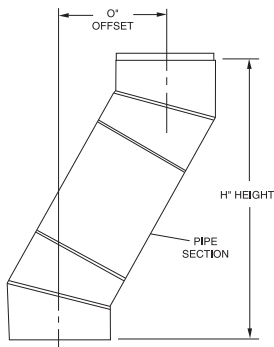
Product No.	Part No.	A	B	C
210800	10S-CT	10"	20"	8½"
212800	12S-CT	12"	24"	10"
214800	14S-CT	14"	28"	11½"

Field install a spark arrester on our standard top.

**SPARK ARRESTORS**

Product No.	Part No.	Dia.	Product No.	Part No.	Dia.
205790	5T-SA	5"	210790	10T-SA	10"
206790	6T-SA	6"	212790	12T-SA	12"
207790	7T-SA	7"	214790	14T-SA	14"
208790	8T-SA	8"			

**Chimney Offset Table**



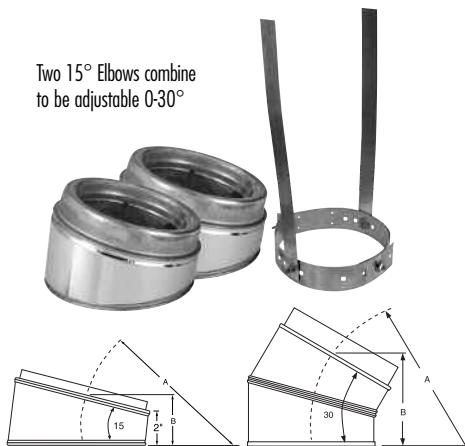
Part No.	2 Elbows w/o Pipe		2 Elbows + 6" Section		2 Elbows + 9" Section		2 Elbows + 12" Section		2 Elbows + 18" Section		2 Elbows + 24" Section		2 Elbows + 36" Section		2 Elbows + 48" Section	
	O	H	O	H	O	H	O	H	O	H	O	H	O	H	O	H
5GT/UT - EL 15°	0.93"	7.03"	2.16"	11.62"	2.94"	14.52"	N/A	N/A	5.72"	23.21"	N/A	N/A	9.92"	40.60"	N/A	N/A
6GT/UT - EL 15°	1.04"	7.88"	2.27"	12.47"	3.05"	15.37"	3.82"	18.26"	5.38"	24.06"	6.92"	29.85"	10.03"	41.25"	13.03"	53.04"
7GT/UT - EL 15°	1.00"	7.62"	2.23"	12.21"	3.01"	15.11"	3.78"	18.00"	5.34"	23.80"	6.89"	29.59"	10.00"	41.19"	13.10"	52.78"
8GT/UT - EL 15°	0.97"	7.36"	2.20"	11.95"	2.98"	14.85"	3.75"	17.74"	5.31"	23.54"	6.85"	29.33"	9.96"	40.93"	13.07"	52.52"
*5GT/UT - EL 30°	3.64"	13.59"	6.02"	17.70"	7.52"	20.30"	9.02"	22.90"	12.02"	28.10"	15.02"	33.29"	21.02"	43.69"	27.02"	54.08"
*6GT/UT - EL 30°	4.08"	15.23"	6.45"	19.34"	7.96"	21.94"	9.45"	24.54"	12.45"	29.74"	15.45"	34.93"	21.45"	45.33"	27.45"	55.72"
*7GT/UT - EL 30°	3.95"	14.73"	6.33"	18.84"	7.83"	21.44"	9.33"	24.04"	12.33"	29.24"	15.33"	34.43"	21.33"	44.83"	27.33"	55.22"
*8GT/UT - EL 30°	3.81"	14.23"	6.19"	18.34"	7.69"	20.94"	9.19"	23.54"	12.19"	28.74"	15.19"	33.93"	21.19"	44.33"	27.19"	54.72"
5GT/UT - EL 30°	3.67"	13.75"	6.05"	17.86"	7.55"	20.46"	N/A	N/A	12.05"	28.26"	N/A	N/A	21.05"	43.84"	N/A	N/A
6GT/UT - EL 30°	3.82"	14.26"	6.20"	18.37"	7.70"	20.97"	9.19"	23.57"	12.20"	28.76"	15.20"	33.96"	21.20"	44.35"	27.20"	54.75"
7GT/UT - EL 30°	3.96"	14.76"	6.34"	18.87"	7.84"	21.47"	9.33"	24.07"	12.34"	29.26"	15.34"	34.46"	21.34"	44.85"	27.34"	55.25"
8GT/UT - EL 30°	4.09"	15.26"	6.47"	19.37"	7.97"	21.97"	9.46"	24.57"	12.46"	29.76"	15.47"	34.96"	21.47"	45.35"	27.47"	55.75"
*10GT/UT - EL 15°	1.24"	9.43"	2.47"	14.02"	3.25"	16.92"	4.02"	19.81"	5.58"	25.61"	7.12"	31.40"	10.23"	43.00"	N/A	N/A
*12GT/UT - EL 15°	1.00"	7.72"	2.23"	12.31"	3.01"	15.21"	3.78"	18.10"	5.33"	23.90"	6.88"	29.69"	9.99"	41.28"	N/A	N/A
*14GT/UT - EL 15°	1.06"	8.25"	2.29"	12.84"	3.07"	15.74"	3.84"	18.63"	5.39"	24.43"	6.95"	30.22"	10.05"	41.82"	N/A	N/A
10GT/UT - EL 30°	3.92"	15.18"	6.30"	19.29"	7.80"	21.89"	9.30"	24.49"	12.30"	29.70"	15.30"	34.88"	21.30"	45.27"	N/A	N/A
12GT/UT - EL 30°	3.92"	14.63"	6.30"	18.74"	7.80"	21.34"	9.30"	23.93"	12.30"	29.14"	15.30"	34.33"	21.29"	44.72"	N/A	N/A
14GT/UT - EL 30°	4.19"	15.63"	6.57"	19.74"	8.07"	22.34"	9.56"	24.93"	12.57"	30.14"	15.57"	35.33"	21.56"	45.72"	N/A	N/A
16GTL - EL 30°	7.96"	29.72"	N/A	N/A	N/A	N/A	13.33"	39.03"	16.33"	44.22"	19.33"	49.42"	25.33"	59.81"	N/A	N/A
18GTL - EL 30°	7.69"	28.72"	N/A	N/A	N/A	N/A	13.06"	38.02"	16.06"	43.22"	19.06"	48.42"	25.06"	58.81"	N/A	N/A
20GTL - EL 30°	7.42"	27.72"	N/A	N/A	N/A	N/A	12.79"	37.02"	15.79"	42.22"	18.79"	47.42"	24.79"	57.81"	N/A	N/A
22GTL - EL 30°	7.16"	26.72"	N/A	N/A	N/A	N/A	12.53"	36.02"	15.53"	41.22"	18.53"	46.42"	24.53"	56.81"	N/A	N/A
24GTL - EL 30°	6.89"	25.72"	N/A	N/A	N/A	N/A	12.26"	35.02"	15.26"	40.22"	18.26"	45.42"	24.26"	55.81"	N/A	N/A

**NOTE:** O = Offset; H = Height

All dimensions and indicated lengths assume a 1.25" overlap... 5" through 10"; 15 degree elbows are new 2 gore design. "\*" are for a pair of 15 deg elbows.

**15°/30° Insulated Elbow Kits**

15° Insulated Elbows can be used for fixed offsets of 15° slope or in pairs for offsets adjustable from zero degrees to 30 degrees slope. The 30° Insulated Elbow in 5", 6", 7" and 8 inch sizes can be used for fixed offsets of 30 degrees slope. Greater angles are prohibited by UL® Standard 103 and by the terms of the product listing.



**GALVA-TEMP Type HT 15° EL**

Product No.	Part No.	A	B
206206G	6GT-EL 15 KIT	13 3/8"	3 1/8"
207206G	7GT-EL 15 KIT	14 3/8"	3 3/8"
208206G	8GT-EL 15 KIT	15 3/8"	3 5/8"

**ULTRA-TEMP-TYPE HT 15° EL Kits**

Product No.	Part No.	A	B
205206	5T-EL 15 KIT	11 1/2"	3 1/8"
206206	6T-EL 15 KIT	11 1/2"	3 1/8"
207206	7T-EL 15 KIT	12 1/2"	3 3/8"
208206	8T-EL 15 KIT	12 1/2"	3 5/8"

**ULTRA-TEMP-TYPE HT 30° EL Kits**

Product No.	Part No.	A	B
205211	5T-EL 30 KIT	12 1/2"	6 1/4"
206211	6T-EL 30 KIT	12 1/2"	6 1/4"
207211	7T-EL 30 KIT	13 3/4"	7"
208211	8T-EL 30 KIT	14 3/4"	7 3/8"

**GALVA-TEMP Type HT 30° EL Kits**

Product No.	Part No.	A	B
206211G	6GT-EL 30 KIT	12 1/2"	6 1/4"
207211G	7GT-EL 30 KIT	13 3/4"	7"
208211G	8GT-EL 30 KIT	14 3/4"	7 3/8"

**ULTRA-TEMP 15° EL Kits**

Product No.	Part No.	A	B
210206	10S-EL 15 KIT	13 3/8"	3 3/8"
212206	12S-EL 15 KIT	14 3/8"	3 3/8"
214206	14S-EL 15 KIT	15 3/8"	4 1/8"

**ULTRA-TEMP 30° EL Kits**

Product No.	Part No.	A	B
210211	10U-EL 30 KIT	13 3/8"	7"
212211	12U-EL 30 KIT	14 3/8"	7 1/2"
214211	14U-EL 30 KIT	15 3/8"	8"

**GALVA-TEMP 30° EL Kits**

Product No.	Part No.	A	B
210211G	10G-EL 30 KIT	13 3/8"	7"
212211G	12G-EL 30 KIT	14 3/8"	7 1/2"
214211G	14G-EL 30 KIT	15 3/8"	8"

**REQUIRED:** Locking Bands (2 packaged with each elbow kit) are to be used at each joint. Each offset must be resupported. Elbows rotate 360° to provide the exact orientation required. Insulated Elbows can be used at the same two-inch air space clearance as chimney sections.



**Insulated Tee**

The Insulated Chimney Tee may be used to start chimneys indoors or outdoors using a Wall Support assembly or a masonry pier. A length of Insulated Chimney Pipe is attached to the Tee snout, using a Locking Band, to pass safely through combustible walls. An Insulated Tee Cap is included which can be removed from bottom opening for inspection and cleanout. **Maximum** height of chimney which can be supported by an Insulated Tee is 50 feet.



**INSULATED Tee CAP Only**

Product No.	Part No.
205102	5T-IP
206102	6T-IP
207102	7T-IP
208102	8T-IP
210102	10S-IP
212102	12S-IP
214102	14S-IP

**Stainless Insulated Tee with Insulated Tee Cap - Type HT**

Product No.	Part No.	A	B	C
205100	5T-IT	6 ¼"	6 ¼"	12 ½"
206100	6T-IT	6 ¾"	6 ¾"	12 ¾"
207100	7T-IT	6 ⅞"	6 ⅞"	13 ¾"
208100	8T-IT	7 ⅞"	7 ⅞"	14 ¾"

**Galvanized TEE w/ INSULATED Tee CAP**

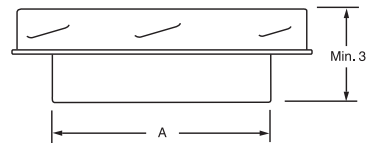
Product No.	Part No.
206100G	6GP-IT
207100G	7GP-IT
208100G	8GP-IT

**Stainless Insulated Tee with Insulated Tee Cap**

Product No.	Part No.	A	B	C
210100	10S-IT	8 ¾"	8 ¾"	16 ¾"
212100	12S-IT	9 ¾"	9 ¾"	18 ¾"
214100	14S-IT	10 ¾"	10 ¾"	20 ¾"

**Chimney Pipe Adapter**

To simplify chimney to single wall connections. The 6" and 8" CPA provides proper connection to the Model DSP connector system.



Product No.	Part No.	A
205240	5T-CPA	4.93"
256240*	6DSP-CPA	5.93"
258240*	8DSP-CPA	7.93"
210240	10S-CPA	9.93"

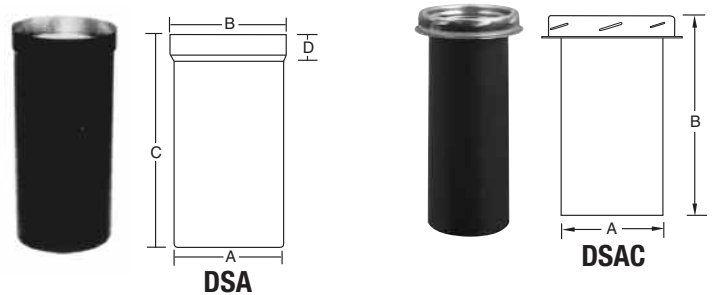
**NOTE:** Comes with Finishing Sleeve  
\*Refers to DSP Smoke Pipe

**Dripless Smoke Pipe Adapters**

Dripless Smoke Pipe Adapters are used to connect single wall stove pipe to ULTRA-TEMP and GALVA-TEMP - Type HT insulated chimney pipe. The part is designed to slip inside single wall stove pipe to contain any creosote dripping down the chimney to the inside of the pipe system. There are two Dripless Smoke Pipe Adapters:

**Dripless Smoke Pipe Adapter (DSA)** – For use in retrofit installations, this part can be installed from below with a Finish Support Package and secured with screws.

**Dripless Smoke Pipe Adapter w/Coupler (DSAC)** – For use in new installations, this part can be installed by twist-locking the coupler on the DSAC into the first section of Type HT chimney pipe.



**DRIPLESS SMOKE PIPE ADAPTER**

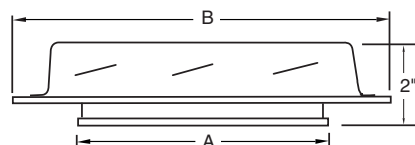
Product No.	Part No.	A	B	C	D
206242	6T-DSA	5.940"	6.210"	15.75"	1.625"
207242	7T-DSA	6.940"	7.210"	15.75"	1.625"
208242	8T-DSA	7.940"	8.210"	15.75"	1.625"

**DRIPLESS SMOKE PIPE ADAPTER w/COUPLER**

Product No.	Part No.	A	B
206240	6T-DSAC	5.940"	15.75"
207240	7T-DSAC	6.940"	15.75"
208240	8T-DSAC	7.940"	15.75"

**Anchor Plate**

The Anchor Plate provides a secure attachment for the chimney to smoke chamber outlet on masonry fireplaces, reducing footing loads and speeding construction. Stainless steel and heavy gauge steel construction for long life. Retains chimney with a twist-lock connection.



**ANCHOR PLATE**

Product No.	Part No.	A	B
206400	6T-AP	6"	9 ¼"
207400	7T-AP	7"	10 ¼"
208400	8T-AP	8"	11 ¼"
210400	10S-AP	10"	13 ¼"
212400	12S-AP	12"	15 ¼"
214400	14S-AP	14"	17 ¼"

## Universal Wall Support / Resupport Assembly

Designed to support a vertical wall installation above the tee or above an offset. It can also serve as an intermediate support. This universal design will work on 5, 6, 7 and 8 inch diameters.



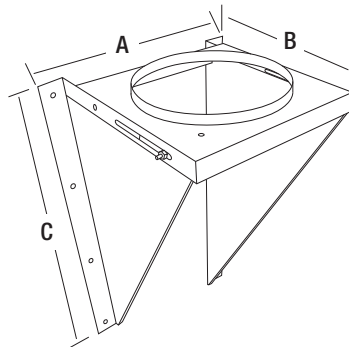
UNIVERSAL WALL SUPPORT/RESUPPORT ASSEMBLY		
Product No.	Part No.	Size
200260	UWRSA	5"- 8" Dia. Pipe

VERTICAL SUPPORT CHART	
Diameter	Height of Support (FT.)
5"	29'
6"	28'
7"	25'
8"	20'

**4" of horizontal adjustability on 6" diameter pipe**

## Wall Support Kit

The Type HT Wall Support Kit has been tested for use fully enclosed and has been designed in 5, 6, 7 and 8 inch sizes to carry up to 60 feet of height. The capacity of the larger sizes, 10, 12 and 14 inches, is 40 feet of chimney. The Wall Support is intended for use with the Insulated Tee as an interior or exterior support where the chimney has a lateral connection. It is also useful where the pipe connection passes through a combustible interior or exterior wall. Braces may be fastened to the wall either above or below the plate for chimneys which penetrate through the wall.

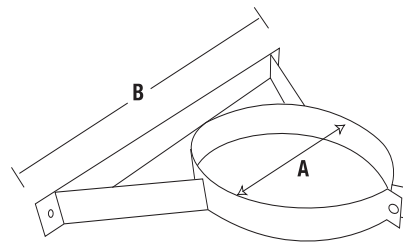


Product No.	Part No.	A	B	C
205430	5T-WSK	12"	10 <sup>5</sup> / <sub>8</sub> "	18 <sup>7</sup> / <sub>8</sub> "
206430	6T-WSK	12"	10 <sup>5</sup> / <sub>8</sub> "	18 <sup>7</sup> / <sub>8</sub> "
207430	7T-WSK	13"	11 <sup>5</sup> / <sub>8</sub> "	20 <sup>1</sup> / <sub>2</sub> "
208430	8T-WSK	14"	12 <sup>5</sup> / <sub>8</sub> "	21 <sup>7</sup> / <sub>8</sub> "
210430	10S-WSK	16"	14 <sup>5</sup> / <sub>8</sub> "	25 <sup>1</sup> / <sub>4</sub> "
212430	12S-WSK	19"	16 <sup>1</sup> / <sub>2</sub> "	23"
214430	14S-WSK	21"	18 <sup>1</sup> / <sub>2</sub> "	27"

**Now Supports 60 Vertical Feet at 2" from Wall.**

## Wall Band

The Wall Band is used along the wall to provide for two inch clearance and assure stability. Also useful for suspending offsets. Required at 8 foot or closer intervals to stabilize the chimney, wherever it is supported along a vertical wall.



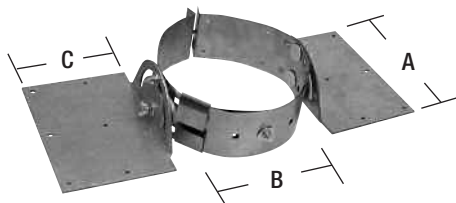
### STAINLESS STEEL

Product No.	Part No.	A	B
205520	5T-WB	7"	17"
206520	6T-WB	8"	17"
207520	7T-WB	9"	17"
208520	8T-WB	10"	17"

Product No.	Part No.	A	B
210520	10S-WB	12"	17"
212520	12S-WB	14"	18"
214520	14S-WB	16"	20"

## Universal Roof Support Kit

This new design gives you the flexibility of securing the 5, 6, 7 or 8 inch diameter chimney with a heavy duty band. The band allows you to slide the installed length vertically to properly position this section in the system. Installation requirements are the same as our standard RSP. The URSA can hold 30 feet of pipe total – only 20 feet can be below.



### UNIVERSAL ROOF SUPPORT KIT - 5"- 8" Dia. Pipe

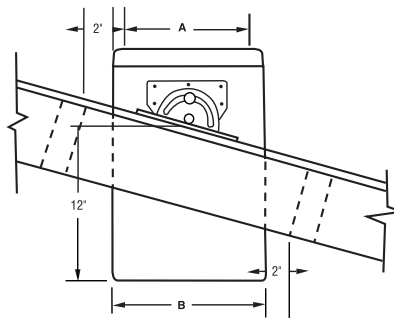
Product No.	Part No.	A	B	C
200250	URSA	6"	Adjustable 7"-10"	4"

Brackets and mounting hardware with band

### Roof Support Package

An ideal support assembly for freestanding fireplaces and open cathedral ceiling installations. Fits all roof pitches and requires only simple framing. Mounts easily on to top of roof through opening that allows two inch clearance. Maximum length of chimney which can be suspended below is 20 feet supported. Maximum total length is 30 feet. The Roof Support Package (RSP) contains one 18 inch length of pipe, roof brackets and necessary hardware. The roof brackets and hardware may be purchased without the pipe section by ordering a Roof Support Kit (RSK). The brackets may be assembled to any standard pipe length at any desired height. Locking bands must be used at each pipe joint when installing either the RSP or RSK.

**NOTE:** Framing dimension for the installation of the RSK is identical to the RSP dimension.



ULTRA-TEMP - TYPE HT				
Product No.	Part No.	A	B	Framing
205420	5T-RSP	5"	7"	11" x 1"
206420	6T-RSP	6"	8"	12" x 1"
207420	7T-RSP	7"	9"	13" x 1"
208420	8T-RSP	8"	10"	14" x 1"

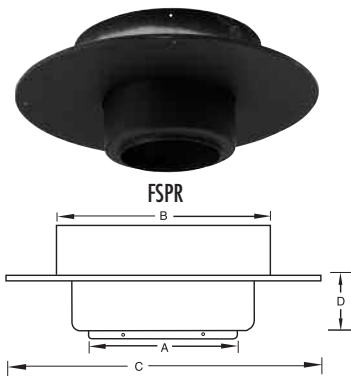
GALVA-TEMP - TYPE HT				
Product No.	Part No.	A	B	Framing
206420	6T-RSP	6"	8"	12" x 1"
207420	7T-RSP	7"	9"	13" x 1"
208420	8T-RSP	8"	10"	14" x 1"

ULTRA-TEMP				
Product No.	Part No.	A	B	Framing
210420	10S-RSP	10"	12"	16" x 1"
212420	12S-RSP	12"	14"	18" x 1"
214420	14S-RSP	14"	16"	20" x 1"

ROOF SUPPORT KIT Brackets and mounting hardware only		
Product No.	Part No.	(works on all diameters)
200420	RSK	

### Ceiling Supports

The Finish Ceiling Support (FSP) in 5, 6, 7 and 8 inch sizes, is available with either a round or square trim plate. The Ceiling Support (CSP) in 10" size is unpainted on the back and comes with a square trim plate only. With proper framing, all ceiling supports assure at least 2 inch minimum clearance to combustibles at the support level and can carry up to 50 feet of vertical chimney height.



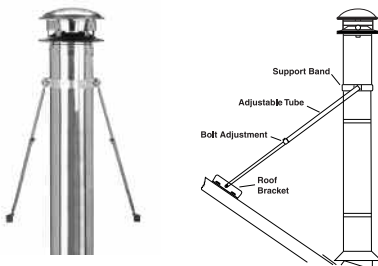
A	B	C	C		D
O.D.	Framing Dimensions	Sq. Plate Dimensions	Product No.	Part No.	From Ceiling
5 1/4"	11 1/4" x 11 1/4"	—	—	—	3 1/2"
6 1/4"	12 1/4" x 12 1/4"	14 1/4"	206410	6T-FSP	3 1/2"
7 1/4"	13 1/4" x 13 1/4"	15 1/4"	207410	7T-FSP	3 1/2"
8 1/4"	14 1/4" x 14 1/4"	16 1/4"	208410	8T-FSP	3 1/2"

Product No.	Part No.	A	B	C	D
		O.D.	Framing Dimensions	Plate Dimensions	From Ceiling
210415	10S-CSP	10 1/4"	16 1/4" x 16 1/4"	18 1/2"	3 1/2"



### Roof Brace Kit

A Roof Brace Kit can be used whenever there is a need to stabilize the chimney above the roof level. The Roof Brace Kit should be used at a midpoint on the chimney. Braces adjust from 4 to 6 feet.



UNIVERSAL ROOF BRACE KIT		
Product No.	Part No.	Dia. Pipe
200240	URBK	5"-14"

ROOF BRACE KITS REQUIREMENTS		
Product No.	Part No.	Dia. Pipe
up to 4'	None	
5' to 10'	1	
over 10'	1 every 5'	

**Universal Interior Resupport**

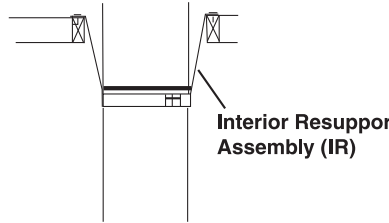
Incorporates the flexibility to work on 5, 6, 7 and 8 inch diameters and is an excellent method for resupporting chimney systems that have offsets or vertical runs that require additional support (up to 18 feet).



Product No.	Part No.	Size
200230	UIRA	5" - 8" Dia. Pipe

**Interior Resupport**

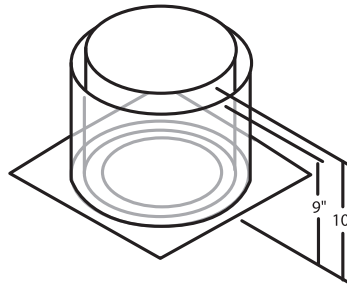
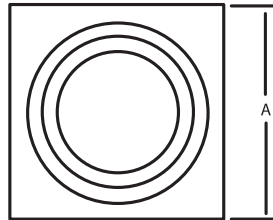
Interior resupport assembly allows for two different methods of chimney resupport. The first method is used at the immediate section of chimney above the upper elbow of an offset. With the appropriate Fire Stop/Joist Shield (JS) in place, clamp the support band around chimney and attach with six sheet metal screws. The second means of support is used primarily when the immediate sections of the upper offset do not pass through a joist area and resupport is necessary. The Support Band is clamped around the chimney immediately below a Locking Band. In both methods, the straps are nailed to suitable framing at two inch clearance. The 18 foot limit of supportable chimney length applies.



Dia.	Product No.	Part No.
5"	205435	5T-IR
6"	206435	6T-IR
7"	207435	7T-IR
8"	208435	8T-IR
10"	210435	10S-IR
12"	212435	12S-IR
14"	214435	14S-IR

**Attic Insulation Shield**

Used wherever a Ceiling Support, Finish Support, or Fire Stop is installed below an open attic. The Insulation Shield is required to guard against the hazard of blown-in or blanket insulation filling any framed opening or contacting the chimney and possible contact of combustibles against the chimney.



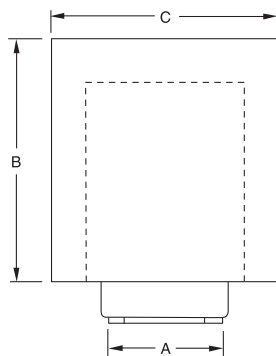
Product No.	Part No.	A
205490	5T-AIS	13"
206490	6T-AIS	14"
207490	7T-AIS	15"
208490	8T-AIS	16"
210490	10S-AIS	18"
212490	12S-AIS	20"
214490	14S-AIS	22"

**Support Box / Cathedral Ceiling Support**

The Support Box is intended for use when installing chimney in an A-frame, in a mobile home, or in a ceiling under a narrow section of roof. It provides a finished installation at the ceiling level and will support up to 20 feet of 6, 7 or 8 inch diameter chimney. The part also provides shielding from insulation when installed in an unoccupied attic space. The Support Box assembly is comprised of a black box designed for installation inside 16 inch O.C. joists, a cylindrical shield, support bucket, ceiling trim, and four screws.



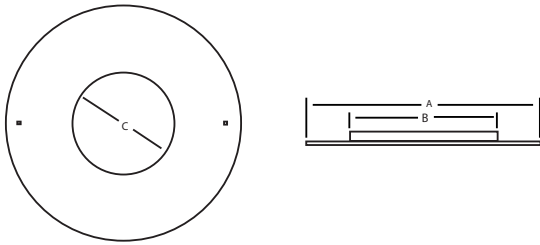
**Black Matte Finish**



Product No.	Part No.	A	B	C
206424	6T-SB	6 1/4"	24"	14 1/4"
207424	7T-SB	7 1/4"	24"	14 1/4"
208424	8T-SB	8 1/4"	24"	14 1/4"

**Trim Plate Spacer**

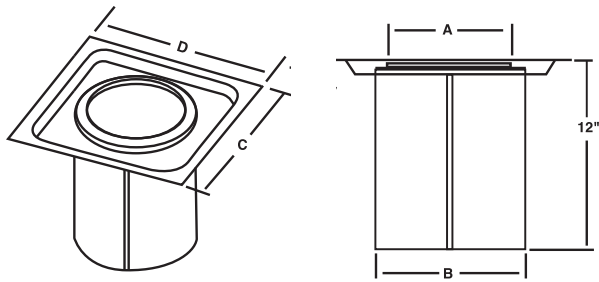
Used to trim the ceiling, closing off the airspace around the pipe. Supported from above and extended down into room. Used in conjunction with Firestop/Joist Shield.



Product No.	Part No.	Dia.	A	B	C
206465	5T-TPS	5"	—	11"	7½"
206465	6T-TPS	6"	19"	12"	8½"
207465	7T-TPS	7"	21"	13"	9½"
208465	8T-TPS	8"	22"	14"	10½"

**Firestop / Joist Shield**

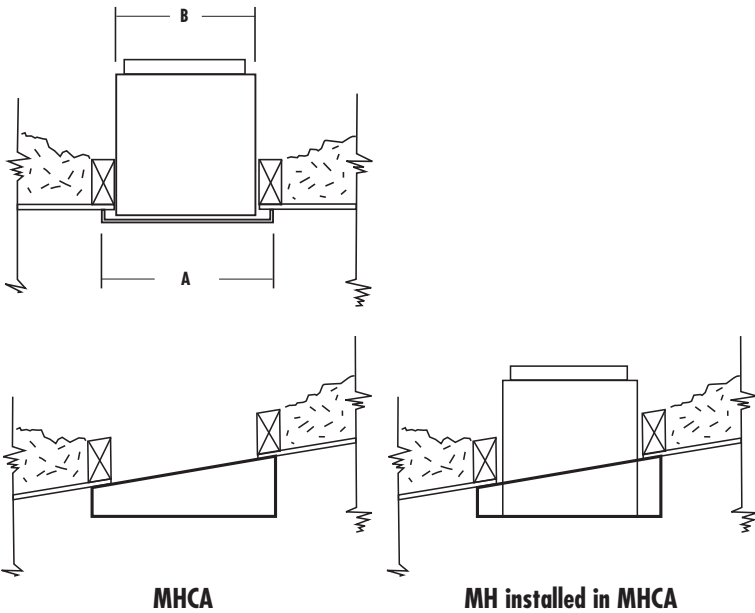
Used in floor/ceiling penetrations other than those which include a ceiling support. Not required when passing through roof.



Product No.	Part No.	Dia.	A	B	C	D
205465	5T-JS	5"	7½"	9"	13"	11"
206465	6T-JS	6"	8½"	10"	14"	12"
207465	7T-JS	7"	9½"	11"	15"	13"
208465	8T-JS	8"	10½"	12"	16"	14"
210465	10S-JS	10"	12½"	14"	18"	16"
212465	12S-JS	12"	14½"	16"	20"	18"
214465	14S-JS	14"	16½"	18"	22"	20"

**Mobile Home Shielding**

Often required part when installing Metalbestos chimneys in mobile home construction.

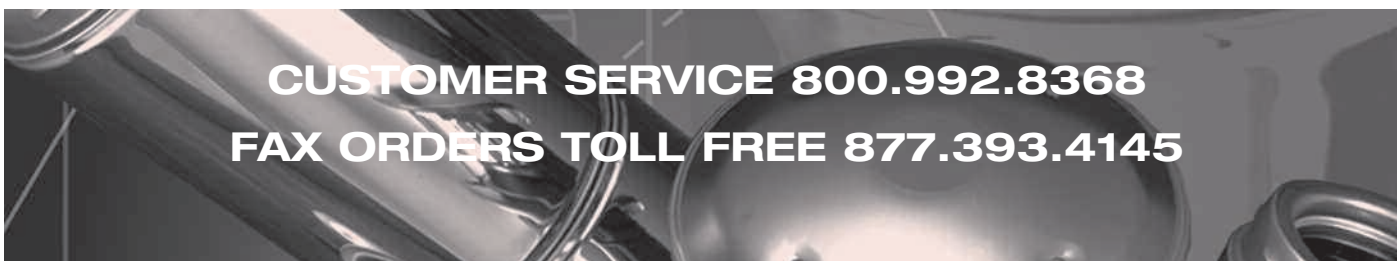


**MOBILE HOME JOIST SHIELD (FLAT)**

Product No.	Part No.	Dia.	Description	A	B
206470	6T-MH	6"	Mobile Home Joist Shield (flat)	14¼"	12"
207470	7T-MH	7"	Mobile Home Joist Shield (flat)	15¼"	13"
208470	8T-MH	8"	Mobile Home Joist Shield (flat)	16¼"	14"

**CATHEDRAL ADAPTER FOR T-MH**

Product No.	Part No.	Dia.	Description
206475	6T-MHCA	6"	Cathedral Adapter for T-MH (2/12-4/12)



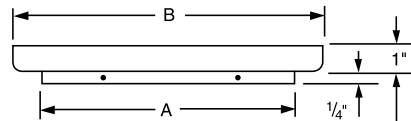
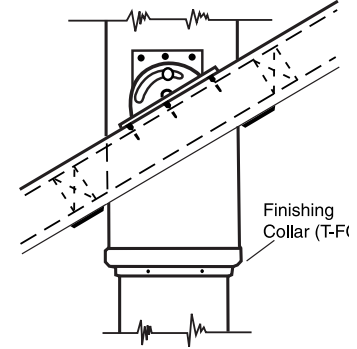
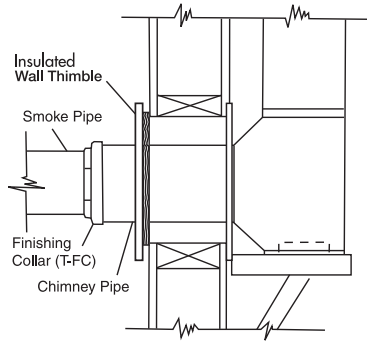
**CUSTOMER SERVICE 800.992.8368**  
**FAX ORDERS TOLL FREE 877.393.4145**

**Finishing Collar**

The Finishing Collar fits over lower end of suspended insulated chimney pipe to provide finished appearance. Used to attach T-DSA Smoke Pipe Adapter to lower end of chimney or to insulated Tee.



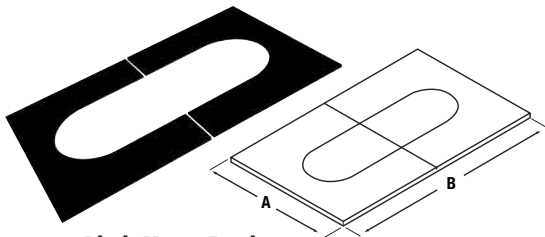
**Black Matte Finish**



Product No.	Part No.	A	B
206480	6T-FC	6 1/4"	8"
207480	7T-FC	7 1/4"	9"
208480	8T-FC	8 1/4"	10"

**Adjustable Pitched Ceiling Plate**

The Pitched Ceiling Plate provides a finished appearance where the chimney passes through a sloped ceiling. Only two parts required to fit the full range of pitches.



**Black Matte Finish**

**0/12 - 6/12 PITCH**

Size	Product No.	Part No.	A	B
5"	205512	5T-PCPAJ	15 1/2"	18 - 29"
6"	206512	6T-PCPAJ	16 1/2"	19 - 30"
7"	207512	7T-PCPAJ	17 1/2"	20 - 31"
8"	208512	8T-PCPAJ	18 1/2"	21 - 33"
10"	210512	10S-PCPAJ	20 1/2"	23 - 37"
12"	212512	12S-PCPAJ	22 1/2"	25 - 41"
14"	214512	14S-PCPAJ	24 1/2"	27 - 45"

**6/12 - 12/12 PITCH**

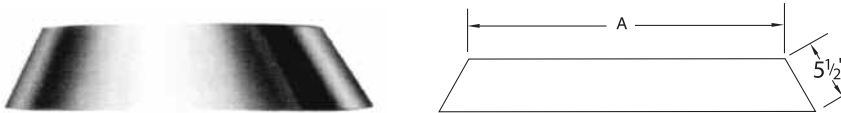
Size	Product No.	Part No.	A	B
5"	<b>COMING SOON Contact Customer Service for more info 800.992.8368</b>			
6"				
7"				
8"				
10"				
12"				
14"				

**Storm Collar**

The Storm Collar is designed to fit on the round chimney pipe just above the roof flashing. The upper edge of the Storm Collar should be waterproofed with silicone sealer to prevent any water from leaking between the Storm Collar and chimney pipe. Part is tightened with adjusting screws or tabs after proper positioning.

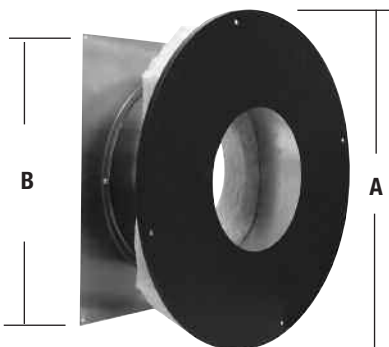
Product No.	Part No.	A
206810	5/6T-SC	8"
208810	7/8T-SC	10"

Product No.	Part No.	A
210810	10S-SC	12"
212810	12S-SC	14"
214810	14S-SC	16"



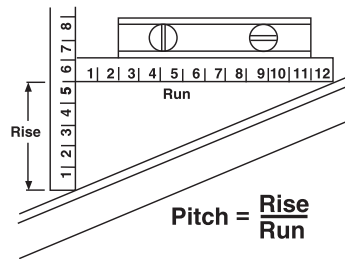
**Insulated Wall Thimble**

Our Insulated Wall Thimble installs quickly and eliminates the need for using individual firestops. The round shielding acts as a radiation shield and provides the required two inch air space clearance to combustibles. The two sections telescope to accommodate 6 to 11 inch wall thickness.



Product No.	Part No.	A	B	Opening Required
205463	5T-IWT	17"	16"	11 1/8" by 11 1/8"
206463	6T-IWT	19"	16"	12 1/8" by 12 1/8"
207463	7T-IWT	21"	16"	13 1/8" by 13 1/8"
208463	8T-IWT	22"	16"	14 1/8" by 14 1/8"
210463	10S-IWT	24"	18 1/4"	16 1/8" by 16 1/8"
212463	12S-IWT	20"	20"	18 1/8" by 18 1/8"
214463	14S-IWT	24"	24"	20 1/8" by 20 1/8"

**Roof Pitch**



**Flashings for Various Roof Pitches**

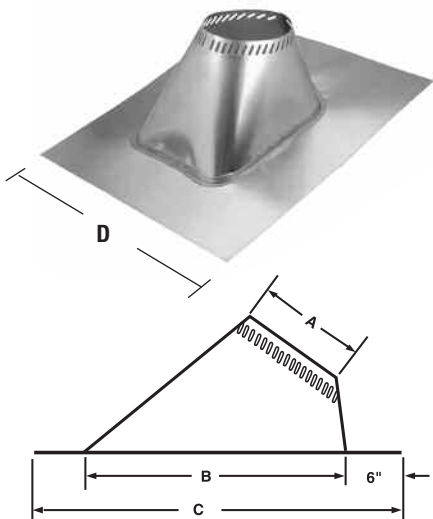
Flashings are used to seal the opening where the chimney penetrates the roof to divert rain and snow down from the roof and away from the chimney system.

A series of adjustable flashings are available depending on your roof pitch. A flat and low pitch flashing is used to seal flat and low pitch roof (up to 2/12 pitch) openings.

To determine your roof pitch, measure the number of inches from the end of a level ruler down to the roof. This is the rise for 12 inches of run. A rise of 5 inches is a 5/12 pitch. . . 4 inches, a 4/12 pitch, etc.

**Adjustable Flashing**

Safety Vents on all Flashings



**2/12 To 6/12 Pitch**

Product No.	Part No.	A	B	C	D
206825	6TAF-6	8 $\frac{1}{8}$ "	16 $\frac{1}{2}$ "	28 $\frac{1}{2}$ "	24"
207825	7TAF-6	9 $\frac{1}{8}$ "	16 $\frac{1}{2}$ "	28 $\frac{1}{2}$ "	24"
208825	8TAF-6	10 $\frac{1}{8}$ "	19 $\frac{1}{8}$ "	31 $\frac{1}{8}$ "	27"
210825	10SAF-6	12 $\frac{1}{8}$ "	19 $\frac{1}{8}$ "	31 $\frac{1}{8}$ "	27"
212825	12SAF-6	14 $\frac{1}{8}$ "	19 $\frac{1}{8}$ "	36 $\frac{3}{8}$ "	36"
214825	14SAF-6	16 $\frac{1}{8}$ "	19 $\frac{1}{8}$ "	36 $\frac{3}{8}$ "	36"

**6/12 To 12/12 Pitch**

Product No.	Part No.	A	B	C	D
206830	6TAF-12	8 $\frac{1}{8}$ "	19 $\frac{1}{8}$ "	31 $\frac{1}{8}$ "	27"
207830	7TAF-12	9 $\frac{1}{8}$ "	19 $\frac{1}{8}$ "	31 $\frac{1}{8}$ "	27"
208830	8TAF-12	10 $\frac{1}{8}$ "	19 $\frac{1}{8}$ "	31 $\frac{1}{8}$ "	27"
210830	10SAF-12	12 $\frac{1}{8}$ "	25 $\frac{1}{2}$ "	37 $\frac{1}{2}$ "	36"
212830	12SAF-12	14 $\frac{1}{8}$ "	28 $\frac{1}{2}$ "	40 $\frac{1}{2}$ "	36"
214830	14SAF-12	16 $\frac{1}{8}$ "	31 $\frac{1}{2}$ "	43 $\frac{1}{2}$ "	36"

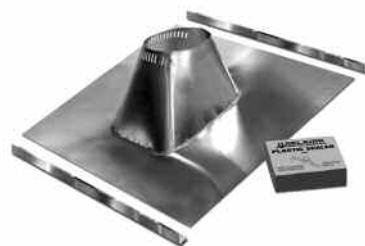
**12/12 To 24/12 Pitch**

Product No.	Part No.	A	B	C	D
206835	6TAF-24	8 $\frac{1}{8}$ "	28 $\frac{3}{4}$ "	40 $\frac{3}{4}$ "	24"
207835	7TAF-24	9 $\frac{1}{8}$ "	31 $\frac{1}{4}$ "	43 $\frac{3}{4}$ "	24"
208835	8TAF-24	10 $\frac{1}{8}$ "	33 $\frac{3}{8}$ "	45 $\frac{3}{8}$ "	24"

**24/12 To 36/12 Pitch**

Product No.	Part No.	A	B	C	D
206840	6TAF-36	8 $\frac{1}{8}$ "	41 $\frac{1}{4}$ "	53 $\frac{1}{4}$ "	24"
207840	7TAF-36	9 $\frac{1}{8}$ "	44 $\frac{1}{8}$ "	56 $\frac{1}{4}$ "	24"
208840	8TAF-36	10 $\frac{1}{8}$ "	47 $\frac{1}{4}$ "	59 $\frac{1}{4}$ "	24"

**NOTE:** For 5 inch chimney use 6 inch Metalbestos® Flashing with 5/6 inch storm collar.  
All Flashings have .025 Aluminium Bases.



**Dead Soft Flashing**

**2/12 To 6/12 Pitch**

Product No.	Part No.	A	B	C	D
206845	6T-AF6D	8 $\frac{1}{8}$ "	16 $\frac{1}{2}$ "	30"	33"
207845	7T-AF6D	9 $\frac{1}{8}$ "	16 $\frac{1}{2}$ "	30"	33"
208845	8T-AF6D	10 $\frac{1}{8}$ "	19 $\frac{1}{8}$ "	30"	33"

**Universal Rubber Boot Flashing Kit**

**Up To 12/12 Pitch**

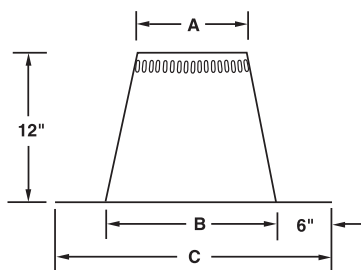
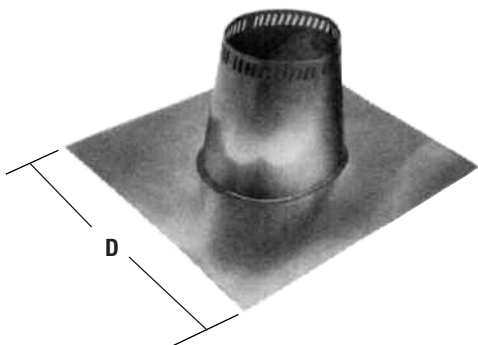
Product No.	Part No.
200275	URBAK

**Universal Metal Roof Flashing Kit**

Product No.	Part No.
200280	URFK

**NOTE:** Used in conjunction with a standard Metalbestos® Flashing to seal the opening when penetrating a corrugated metal roof. Flashing sold separately.

**Flat and Low Pitch Flashing (0 To 2/12 Pitch)**



**0 To 2/12 Pitch**

Product No.	Part No.	A	B	C	D
206815	6T-TF	8 $\frac{1}{8}$ "	12"	24 $\frac{3}{4}$ "	21"
207815	7T-TF	9 $\frac{1}{8}$ "	15 $\frac{3}{4}$ "	27 $\frac{3}{4}$ "	24"
208815	8T-TF	10 $\frac{1}{8}$ "	15 $\frac{3}{4}$ "	27 $\frac{3}{4}$ "	24"
210815	10S-TF	12 $\frac{1}{8}$ "	17 $\frac{3}{4}$ "	29 $\frac{3}{4}$ "	29 $\frac{3}{4}$ "
212815	12S-TF	14 $\frac{1}{8}$ "	20"	32"	32"
214815	14S-TF	16 $\frac{1}{8}$ "	22 $\frac{1}{4}$ "	34 $\frac{1}{4}$ "	34 $\frac{1}{4}$ "

**NOTE:** All TF flashings come with a roof shield set.

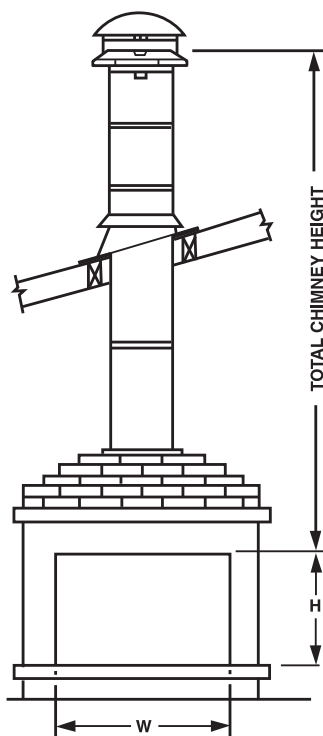
# CHIMNEY SELECTION CHARTS

## Pipe Length Selector Chart

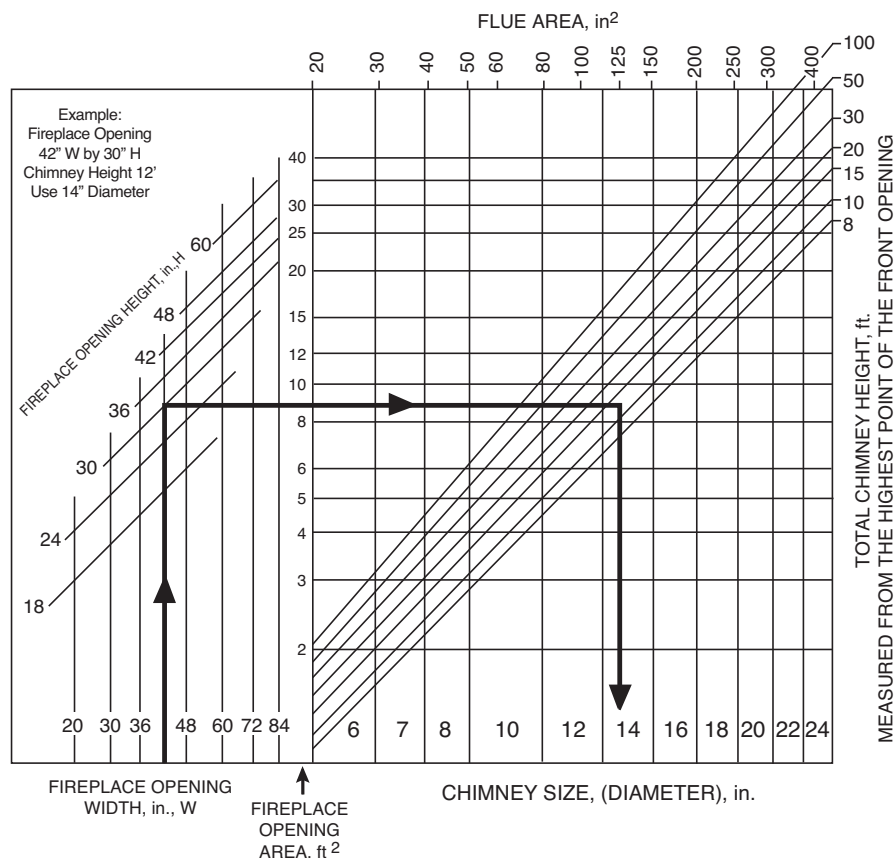
Feet	Inches	Total in Inches	Chimney Size Installed Height	6 4 3/4	9 7 3/4	12 10 3/4	18 16 3/4	24 22 3/4	36 34 3/4	48 46 3/4
	4 3/4	4 3/4		1						
	7 3/4	7 3/4			1					
	10 3/4	10 3/4				1				
1	1/2	12 1/2		1	1					
1	4 3/4	16 3/4					1			
1	6 1/2	18 1/2			1	1				
1	10 3/4	22 3/4						1		
1	11 1/4	23 1/4		1	1	1				
2	10 3/4	34 3/4							1	
2	11 1/4	35 1/4			1	1	1			
3	3 1/2	39 1/2		1						1
3	6 1/2	42 1/2			1					1
3	9 1/2	45 1/2				1				1
3	10 3/4	46 3/4								1
4	2 1/4	50 1/4				1	1	1		
4	3 1/2	51 1/2					1		1	
4	3 1/2	51 1/2		1						1
4	6 1/2	54 1/2			1					1
4	9 1/2	57 1/2				1				1
5	3 1/2	63 1/2					1			1
5	9 1/2	69 1/2						1		1
5	9 1/2	69 1/2							2	
6	9 1/2	81 1/2							1	1
7	2 1/4	86 1/4					1		2	
7	8 1/4	92 1/4						1	2	
7	8 1/4	92 1/4						1	2	
7	9 1/2	93 1/2								2
8	8 1/4	104 1/4				1				2
9	2 1/4	110 1/4					1			2
9	8 1/4	116 1/4						1		2
10	8 1/4	128 1/4							1	2
9	7	115				1			3	
10	1	121					1		3	
10	7	127						1	3	
11	8 1/4	140 1/4								3
12	7	151				1				3
13	1	157					1			3
13	7	163						1		3
14	7	175							1	3
11	7	139							4	
12	11 3/4	155 3/4					1		4	
13	5 3/4	161 3/4						1	4	
15	7	187								4
16	11 3/4	203 3/4					1			4
17	5 3/4	209 3/4						1		4
18	5 3/4	221 3/4							1	4
14	5 3/4	173 3/4							5	
16	4 1/2	196 1/2						1	5	
19	5 3/4	233 3/4								5
21	4 1/2	256 1/2						1		5
22	4 1/2	268 1/2							1	5
17	4 1/2	208 1/2							6	
19	3 1/4	231 1/4						1	6	
23	4 1/2	280 1/2								6
25	3 1/4	303 1/4							1	6
26	3 1/4	315 1/4							1	6



## Fireplace Chimney Sizing Chart



**NOTE: CANADA ONLY**  
Chimney offsets (5° & 2-90° turns)  
Require 50% extra height or one size larger pipe.



## Chimney Sizing for Woodburning Stoves and Room Heaters

Use the stove outlet size or follow the instructions furnished with the appliance. **Offsets not to exceed 30° from vertical in the U.S.A.**

## COMMON CHIMNEY INSTALLATIONS

Short or tall, large or small, there is a Metalbestos® Chimney system to suit every need or appliance. The following diagrams are intended as a guide to proper part selection for several common chimney installations. Keep in mind that these diagrams do not show the exact details for installation of the various chimney parts. They supplement the instructions, by illustrating a wider variety of complete chimney systems. While the primary emphasis in the diagrams is on solid-fuel appliances, the type of appliance originally selected must never affect the installation of the chimney.

Whether the chimney is initially connected to a gas, oil, or wood-burning appliance, the parts used and clearances to combustibles are always the same. Remember that at some future time, the same chimney may serve a wood furnace, even if it started out with gas or oil.

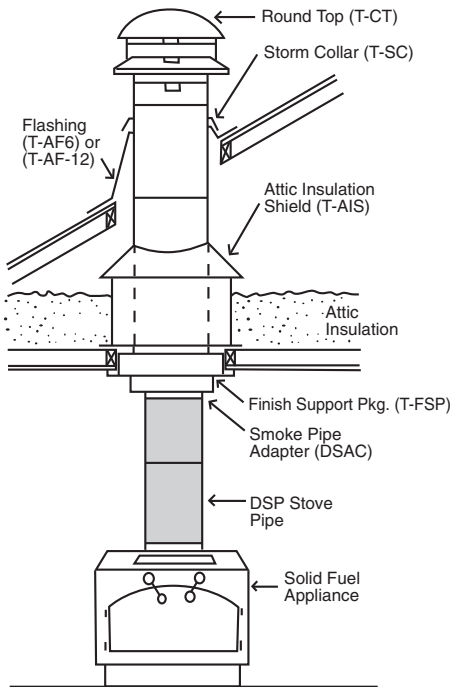
Many more possibilities for chimney systems exist than those shown here. Whether or not you find your exact planned chimney arrangement here, remember these basic rules—which are also emphasized in the installation instructions:

1. Use proper support and bracing—for the entire system.
2. Maintain the minimum two inch AIR SPACE clearance to combustibles and to any insulation.
3. For joint security—use Locking Bands or screws for the chimney and its connector.
4. Enclose or protect the chimney to avoid contact, damage or hazards to furnishings.
5. Use only appliances which have been tested, "Listed" (or approved and inspected), and follow their instructions in every detail for your own protection.

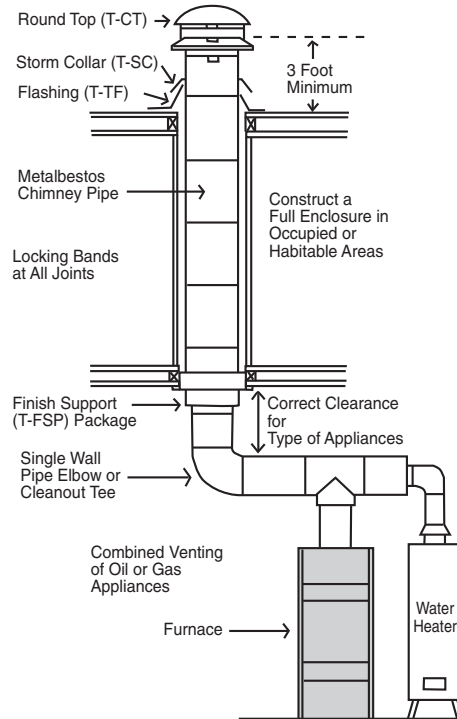
**NOTE:** The drawings shown of these installations are solely for assistance in product selection. Reference should be made to the Metalbestos® Chimney system installation instructions for full and exact details of a correct installation.

**Ideas For Your Chimney Installation**

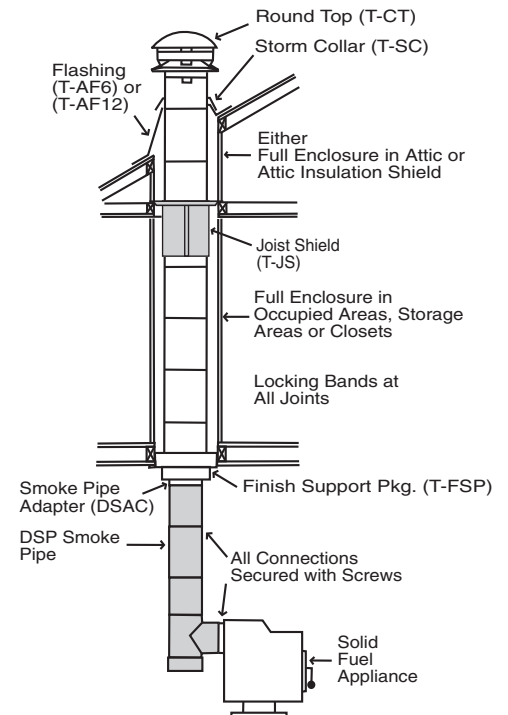
**1. Solid Fuel Appliance with a short vertical chimney**



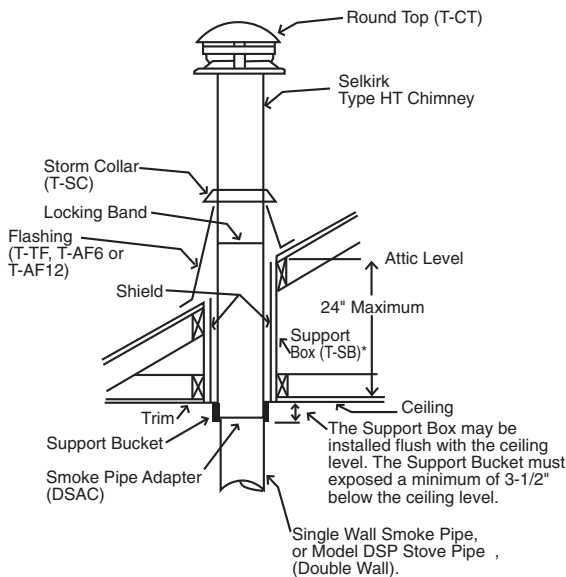
**2. Combination of Furnace and Water Heater on one chimney**



**3. Wood Heater with its chimney through an upstairs enclosure**

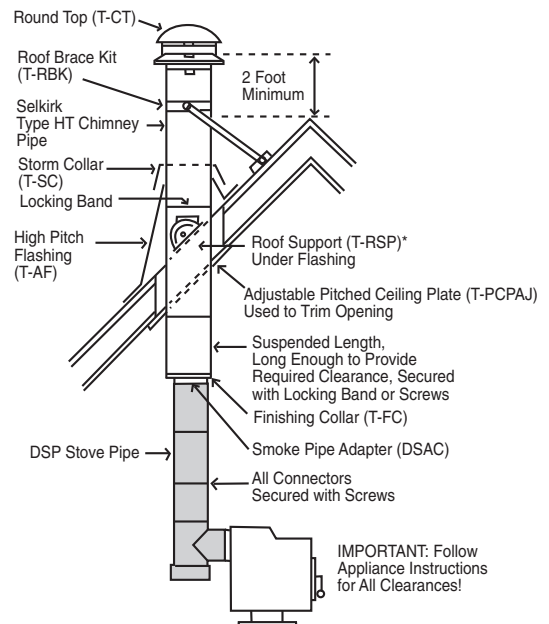


**4. Pitched Roof with Attic**



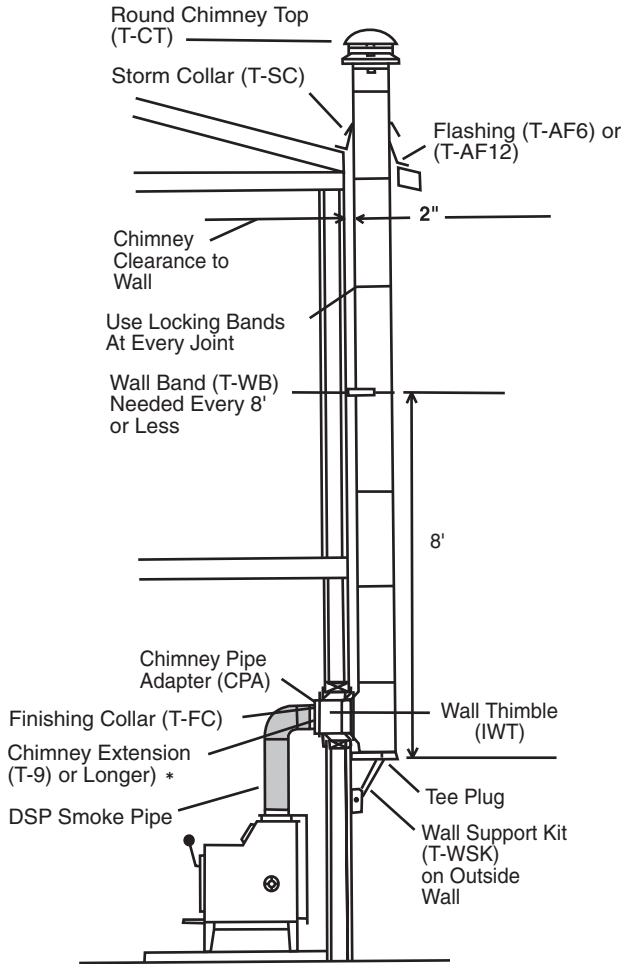
\* Support box also intended for use in mobile home and A-frame installations.

**5. A-Frame with chimney on a steep pitch roof**



\* Support Box may also be used. Please consult installations instructions for more information.

**6. Basement Heater with Tee-supported outside chimney**

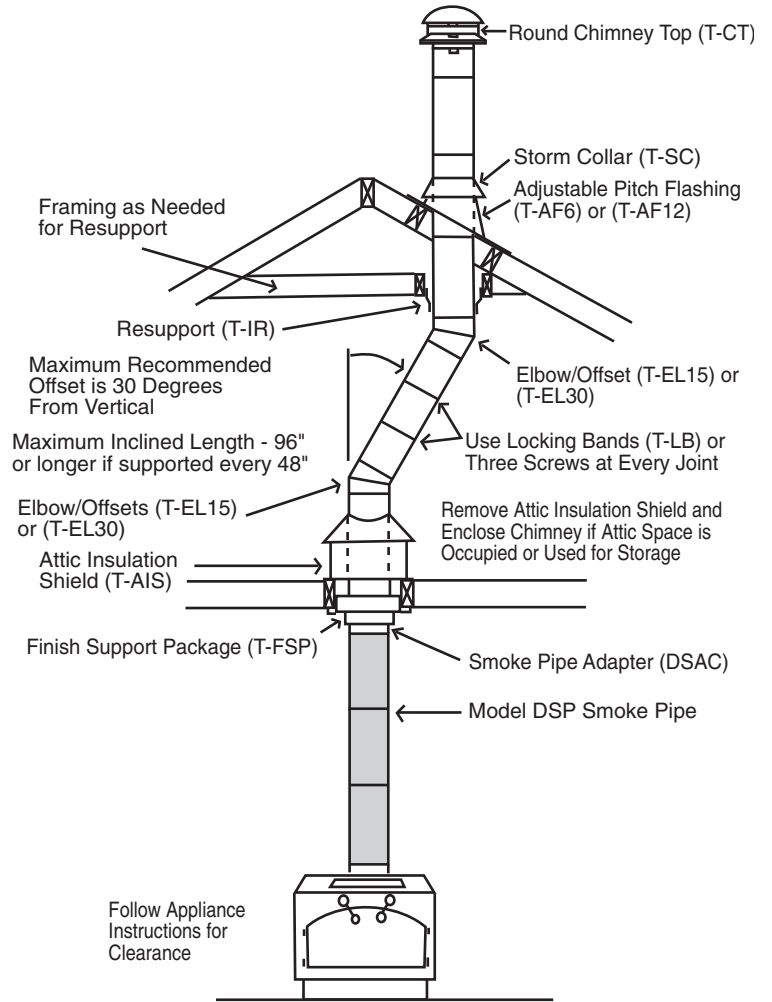


\*The end of the chimney section must extend into the room a minimum of 4-1/2" beyond the face of the wall.

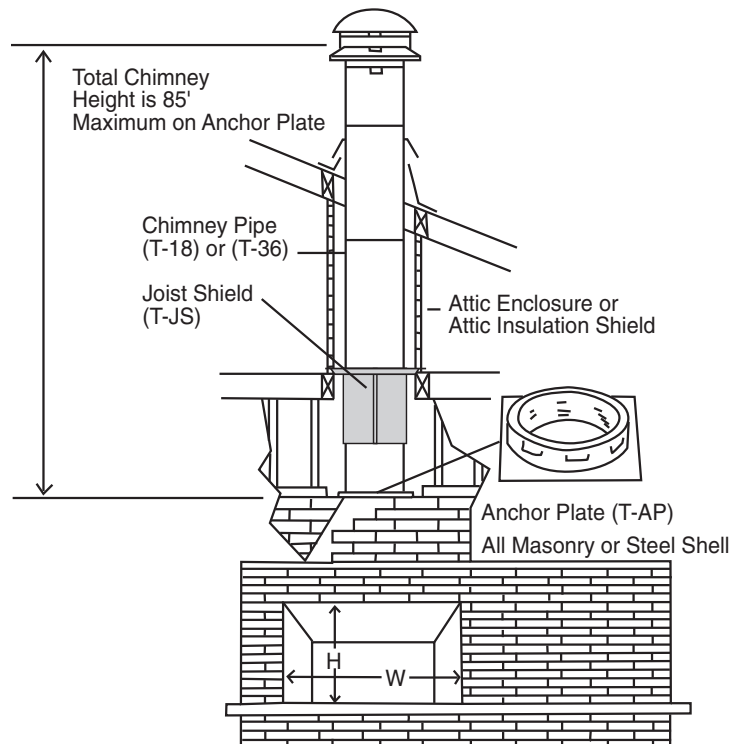
**NOTE ON CHIMNEY/SMOKE PIPE CONNECTIONS**

Most diagrams on Pages 17, 18 and 19 show Ultra-Temp or Galva-Temp Chimney systems connected to Metalbestos® double wall stove pipe using the Model DSP Chimney Pipe Adapter (see page 9). Ultra-Temp and Galva-Temp Chimneys may be connected to single wall stove pipe using the Dripless Smoke Pipe Adapters (see page 9).

**7. Wood Stove with chimney offset to avoid ridge**



**8. Masonry Fireplace using Metalbestos® Chimney**



# The Better Chimney for Big Fireplaces.



**Metalbestos® Platinum Series™** Large Diameter Chimney is the perfect fit for large custom masonry fireplaces. Selkirk offers the best selection of large diameter chimney pipe in the industry – 16 to 24 inch (20", 22", 24" available special order).

With its stainless steel inner pipe, 1 inch premium insulation and durable galvanized (stainless steel special order) outer pipe, our Platinum Series™ chimney system is *"the coolest under the hottest conditions."*

Listed with Underwriters Laboratories, Inc. for gas, wood and liquid-fired appliances, the Metalbestos® Platinum Series™ Large Diameter Chimney is backed by a lifetime warranty, the best in the industry.



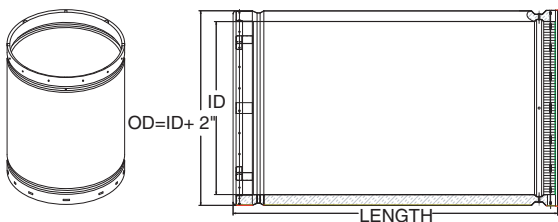
**16" – 24" DIAMETERS**

**Notes for Ultra-Temp & Galva-Temp:**

- 20, 22 and 24 inch Chimney products in galvanized and stainless steel are available by Special Order - allow four weeks.
- 16 and 18 inch stainless steel lengths, tees, and elbows are available by Special Order - allow four weeks.

## Large Diameter Lengths, Galvanized

NOTE: OD = ID + 2"



Dia.	Product No.	Part No.	Lengths
16"	216036G	16GT-36	36"
	216024G	16GT-24	24"
	216018G	16GT-18	18"
	216012G	16GT-12	12"

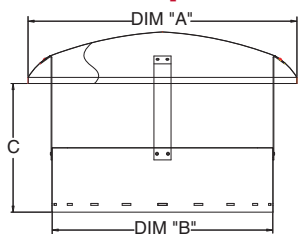
Dia.	Product No.	Part No.	Lengths
18"	218036G	18GT-36	36"
	218024G	18GT-24	24"
	218018G	18GT-18	18"
	218012G	18GT-12	12"

Dia.	Product No.	Part No.	Lengths
22"	222036G	22GT-36	36"
	222024G	22GT-24	24"
	222018G	22GT-18	18"
	222012G	22GT-12	12"

Dia.	Product No.	Part No.	Lengths
20"	220036G	20GT-36	36"
	220024G	20GT-24	24"
	220018G	20GT-18	18"
	220012G	20GT-12	12"

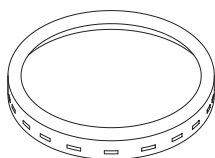
Dia.	Product No.	Part No.	Lengths
24"	224036G	24GT-36	36"
	224024G	24GT-24	24"
	224018G	24GT-18	18"
	224012G	24GT-12	12"

## Round Top with Spark Arrestor



Dia.	Product No.	Part No.	A	B	C
16"	216804	16S-EZCT/S	24"	18"	14 1/4"
18"	218804	18S-EZCT/S	24"	20"	14 1/4"
20"	220804	20S-EZCT/S	28"	22"	15 1/4"
22"	222804	22S-EZCT/S	32"	24"	17 1/4"
24"	224804	24S-EZCT/S	32"	26"	17 1/4"

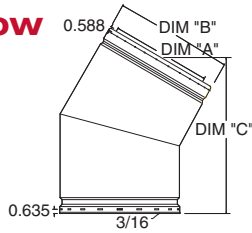
## Closure Ring



Required to cover the insulation at the top of the chimney if any termination other than Selkirk Round Top is used.

Dia.	Product No.	Part No.
16"	216807	16S-CR
18"	218807	18S-CR
20"	220807	20S-CR
22"	222807	22S-CR
24"	224807	24S-CR

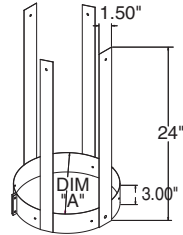
**30° Elbow**



**NOTE:** Installed length is 3/4" less than "C" dimension.

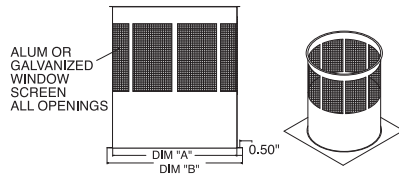
Dia.	Product No.	Part No.	A	B	C
16"	216210G	16GT-EL30	16"	18"	16"
18"	218210G	18GT-EL30	18"	20"	16"
20"	220210G	20GT-EL30	20"	22"	16"
22"	222210G	22GT-EL30	22"	24"	16"
24"	224210G	24GT-EL30	24"	26"	16"

**Interior Resupport**



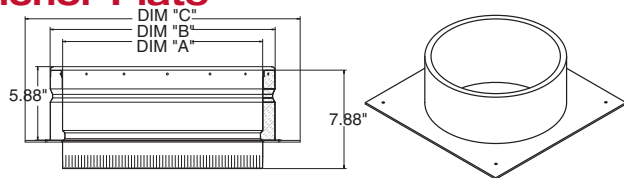
Dia.	Product No.	Part No.	A
16"	216435	16S-IR	18"
18"	218435	18S-IR	20"
20"	220435	20S-IR	22"
22"	222435	22S-IR	24"
24"	224435	24S-IR	26"

**Attic Insulation Shield**



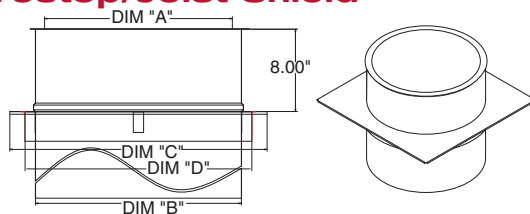
Dia.	Product No.	Part No.	A	B
16"	216490	16S-AIS	22"	24"
18"	218490	18S-AIS	24"	26"
20"	220490	20S-AIS	26"	28"
22"	222490	22S-AIS	28"	30"
24"	224490	24S-AIS	30"	32"

**Anchor Plate**



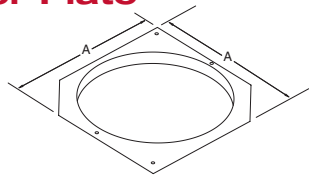
Dia.	Product No.	Part No.	A	B	C
16"	216400G	16GT-AP	16"	18"	22"
18"	218400G	18GT-AP	18"	20"	24"
20"	220400G	20GT-AP	20"	22"	26"
22"	222400G	22GT-AP	22"	24"	28"
24"	224400G	24GT-AP	24"	26"	30"

**Firestop/Joist Shield**



Dia.	Product No.	Part No.	A	B	C	D
16"	216465	16S-JS	18.13"	20"	25"	22"
18"	218465	18S-JS	20.13"	22"	27"	24"
20"	220465	20S-JS	22.13"	24"	29"	26"
22"	222465	22S-JS	24.13"	26"	31"	28"
24"	224465	24S-JS	26.13"	28"	33"	30"

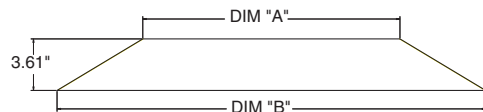
**Stabilizer Plate**



Provides lateral support for a vertical chimney only.  
Is NOT a firestop.

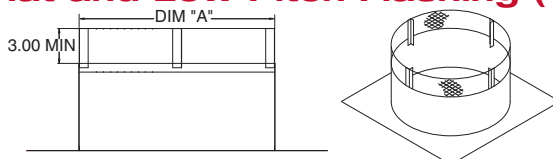
Dia.	Product No.	Part No.	A
16"	216405	16S-SP	25"
18"	218405	18S-SP	27"
20"	220405	20S-SP	29"
22"	222405	22S-SP	31"
24"	224405	24S-SP	33"

**Storm Collar**



Dia.	Product No.	Part No.	A	B
16"	216810	16S-SC	18"	30"
18"	218810	18S-SC	20"	32"
20"	220810	20S-SC	22"	34"
22"	222810	22S-SC	24"	36"
24"	224810	24S-SC	26"	38"

**Flat and Low Pitch Flashing (0 To 2/12 Pitch)**



Dia.	Product No.	Part No.	A
16"	216872	16S-VTF	22½"
18"	218872	18S-VTF	24½"
20"	220872	20S-VTF	26½"
22"	222872	22S-VTF	28½"
24"	224872	24S-VTF	30½"

**Plastic Sealer 1/16" Thick, 3/4" Wide, 25' Long**

Product No.	Part No.
100000	MB-S

# PIPE LENGTH SELECTOR CHART FOR LARGE DIAMETER CHIMNEY (INSTALLED LENGTH)

**Example of Chart Use:**

Using a 16" chimney and 30° elbows, what parts do I use to create an approximate 38.5" total horizontal offset?

1. From Table 1 - Determine the "Offset" two 16" 30° elbows give with no pipe length. Ans. = 7.96"
2. Subtract that number (7.96") from 38.5". Ans. = 30.54" (This is the additional offset required.)
3. From Table 2 determine the closest value to 30.54" in the "Offset @ 30 Degree" column. Ans. = 30.50"
4. Reference the adjacent "Number of Chimney Section" columns to the right to determine the required lengths. Ans. = 1 @ 24", 1 @ 18" and 2 @ 12".

**SUMMARY:** In addition to the 2 - 30° elbows, the required lengths are: one - 24" one - 18" two - 12". Altogether they will create an offset of 7.96" + 30.50" = **38.46"**

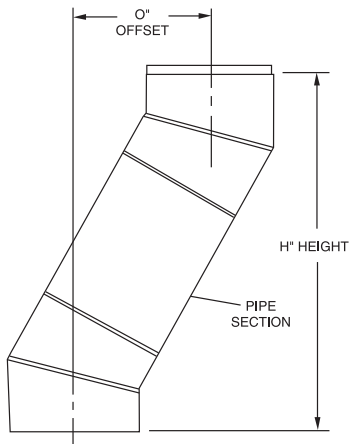
**NOTE:** To determine the amount of height this assembly will require, follow a similar procedure using the "Height" columns in each table. In this example the total installed height of the assembly will be: 29.72" (elbows) + 52.83" (inclined chimney portion) = **82.55"**

**TABLE 1**

Part No.	2 Elbows w/o Pipe	
	OFFSET	HEIGHT
10GT/UT - EL 15°	1.24"	9.43"
12GT/UT - EL 15°	1.00"	7.72"
14GT/UT - EL 15°	1.06"	8.25"
10GT/UT - EL 30°	3.92"	15.18"
12GT/UT - EL 30°	3.92"	14.63"
14GT/UT - EL 30°	4.19"	15.63"
16GTL - EL 30°	7.96"	29.72"
18GTL - EL 30°	7.69"	28.72"
20GTL - EL 30°	7.42"	27.72"
22GTL - EL 30°	7.16"	26.72"
24GTL - EL 30°	6.89"	25.72"

**TABLE 2**

OFFSET @ 15 Degree	HEIGHT @ 15 Degree	OFFSET @ 30 Degree	HEIGHT @ 30 Degree	Number of Chimney Sections				Assembled Length
				36"	24"	18"	12"	
2.78"	10.38"	5.37"	9.31"				1	10.75"
4.33"	16.18"	8.37"	14.51"			1		16.75"
5.56"	20.76"	10.75"	18.62"				2	21.50"
5.88"	21.97"	11.37"	19.70"		1			22.75"
7.12"	26.56"	13.75"	23.82"			1	1	27.50"
8.35"	31.15"	16.13"	27.92"				3	32.25"
8.67"	32.36"	16.75"	29.02"		1		1	33.50"
9.00"	33.57"	17.38"	30.01"	1				34.75"
10.22"	38.15"	19.75"	34.21"		1	1		39.50"
11.13"	41.53"	21.50"	37.24"				4	43.00"
11.77"	43.95"	22.75"	39.40"		2			45.50"
13.00"	48.54"	25.13"	43.52"			3		50.25"
13.33"	49.75"	25.75"	44.60"	1		1		51.50"
13.92"	51.92"	26.88"	46.55"				5	53.75"
14.56"	54.33"	28.13"	48.71"		1	2		56.25"
15.78"	58.92"	30.50"	52.83"		1	1	2	61.00"
16.11"	60.13"	31.13"	53.91"	1		1	1	62.25"
17.12"	63.51"	32.88"	56.94"		1		4	65.75"
18.00"	67.13"	34.75"	60.20"	2				69.50"
19.22"	71.72"	37.13"	64.30"	1	1	1		74.25"
20.12"	75.10"	38.88"	67.33"		1	2	2	77.75"
20.44"	76.31"	39.50"	68.42"		2	2		79.00"
21.67"	80.90"	41.88"	72.53"		1	3	1	83.75"
22.32"	83.31"	43.13"	74.70"	2		1		86.25"
22.91"	85.48"	44.25"	76.64"		1	2	3	88.50"
23.55"	87.90"	45.50"	78.81"		4			91.00"
23.88"	89.12"	46.13"	79.90"	2	1			92.25"
24.78"	92.49"	47.88"	82.93"		2	3		95.75"
25.12"	93.69"	48.50"	84.10"	2		1	1	97.00"
26.10"	97.10"	50.25"	87.10"		2	2	2	100.50"
27.00"	100.70"	52.13"	90.30"	3				104.25"



Numerous other combinations may be found too, by adding multiples of individual lengths.

**MODEL DSP — Double Wall Stove Pipe**

Model DSP is a connector pipe that links your wood stove to an insulated chimney. The connector is an important component of a woodburning system because its correct size, arrangement and installation improve the performance and safety of the heating system.



Listed & Tested to ULC Standard S-641 and UL-103 Standards. Model DSP has an attractive outer black painted surface made of durable aluminized steel to withstand temperatures up to 1200 degrees F of continuous operation.

**Double Wall Design Advantages**

**Better Insulating Value = Superior Stove Performance:**

Double wall construction with a 1/4 inch air space between inner and outer pipes provides superior insulating value than single wall pipe. Better insulating value keeps flue gas temperatures higher. This helps your wood stove perform with an enhanced draft, which provides:

- Less chance of moisture or soot build up within the vent
- Reduced “smoking” of the stove at start-up
- Increased efficiency

**Superior Performance = Reduced Clearances (from 18" to only 6"):**

Double Wall Stove Pipe not only keeps the flue temperatures higher, it keeps the outer pipe temperatures cooler. This allows Double Wall Stove Pipe to be installed with only 6-inch clearance to combustible materials. Single wall stove pipe requires an 18- inch clearance, which typically means your wood stove sits further away from the wall and takes up valuable space within the room.

**Stainless Steel = Quality:**

The inner liner of Model DSP is made from corrosion resistant 400 series stainless steel. Together with the stainless steel insulated chimney this combination forms an all-stainless steel system to help your wood stove perform safely and efficiently.

Double Wall Stove Pipe is listed to ULC S-641 and UL 103 Standards—your guarantee of safety.

**Quality = Longer Life:**

The premium materials used to construct Model DSP enable the manufacturer to offer a Lifetime Warranty. Single wall stove pipe is made from simple carbon steel and typically needs replacement every two or three years.

**Advanced Design = Easy Installation:**

Model DSP is available in a variety of lengths and elbows for ease of installation. Telescopic and Adjustable Lengths are available to eliminate cutting-to-size and help easily access the system for cleaning or inspection.

**Premium Paint Finish = Better Value:**

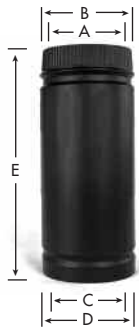
The black finish of Model DSP provides a very rich and distinguished appearance. Black enamel paint is used to provide a long lasting, brighter finish that also resists scratches.



Remove the “WEAK LINK” in your wood heating system. Install MODEL DSP Double Wall Stove Pipe.

**Parts & Accessories**

**Adjustable Lengths**



- Includes Finishing Band.
- Adjustable from 12" to 18".
- Used to adjust pipe to desired Length.
- Eliminates the need to cut pipe.
- For installed length, subtract 1-3/8" per joint.

Size	Product No.	Part No.	A	B	C	D	E
6"	266086	DSP6AL-1	5 <sup>29</sup> / <sub>32</sub> "	6 <sup>1</sup> / <sub>2</sub> "	6"	6 <sup>13</sup> / <sub>32</sub> "	12 <sup>1</sup> / <sub>2</sub> " - 18"
8"	268086	DSP8AL-1	7 <sup>29</sup> / <sub>32</sub> "	8 <sup>1</sup> / <sub>2</sub> "	8"	8 <sup>13</sup> / <sub>32</sub> "	12 <sup>1</sup> / <sub>2</sub> " - 18"

**Vertical Installation Kit**



- Adjusts from 36" to 68".
- Includes everything you need for most ceiling supported installations with Ultra-Temp® and Galva-Temp® Chimney.
- Kit Includes:
  - Ultra-Temp® and Galva-Temp® Chimney Adapter (T-CPA)
  - DSP Telescopic Length (DSP-TL)
  - DSP Finishing Band

Size	Product No.	Part No.
6"	266610	DSP6VK
8"	268610	DSP8VK

**Fixed Lengths**



- Available in lengths of 6", 12", 24" and 36".
- 3 metal screws supplied with each length.
- For installed length, subtract 1-3/8" per joint.

Size	Product No.	Part No.	A	B	C	D
6"	266006	DSP6P6-1	5 <sup>29</sup> / <sub>32</sub> "	6 <sup>1</sup> / <sub>2</sub> "	6"	6"
	266012	DSP6P12-1	5 <sup>29</sup> / <sub>32</sub> "	6 <sup>1</sup> / <sub>2</sub> "	6"	12"
	266024	DSP6P24-1	5 <sup>29</sup> / <sub>32</sub> "	6 <sup>1</sup> / <sub>2</sub> "	6"	24"
	266036	DSP6P36-1	5 <sup>29</sup> / <sub>32</sub> "	6 <sup>1</sup> / <sub>2</sub> "	6"	36"

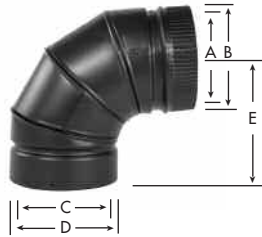
Size	Product No.	Part No.	A	B	C	D
8"	266006	DSP8P6-1	7 <sup>29</sup> / <sub>32</sub> "	8 <sup>1</sup> / <sub>2</sub> "	8"	6"
	266012	DSP8P12-1	7 <sup>29</sup> / <sub>32</sub> "	8 <sup>1</sup> / <sub>2</sub> "	8"	12"
	266024	DSP8P24-1	7 <sup>29</sup> / <sub>32</sub> "	8 <sup>1</sup> / <sub>2</sub> "	8"	24"
	266036	DSP8P36-1	7 <sup>29</sup> / <sub>32</sub> "	8 <sup>1</sup> / <sub>2</sub> "	8"	36"

**ALL DSP COMPONENTS ARE INDIVIDUALLY PACKED TO PROTECT PAINTED SURFACES.**



**Parts & Accessories**

**90 Degree Elbow**



- Used to offset Double Wall Stove Pipe toward insulated chimney in a through the wall installation.
- Non-positional connection system allows 360° rotation.

Size	Product No.	Part No.	A	B	C	D	E
6"	266230	DSP6E9K	5 <sup>29</sup> / <sub>32</sub> "	6½"	6"	6½"	9"
8"	268230	DSP8E9K	7 <sup>29</sup> / <sub>32</sub> "	8½"	8"	8½"	9"

**45 Degree Elbow**



- Used to offset Double Wall Stove Pipe toward insulated chimney.
- Non-positional connection system allows 360° rotation.

Size	Product No.	Part No.	A	B	C	D	E
6"	266215	DSP6E4-1	5 <sup>29</sup> / <sub>32</sub> "	6½"	6"	6½"	6"
8"	268215	DSP8E4-1	7 <sup>29</sup> / <sub>32</sub> "	8½"	8"	8½"	8"

**Tee**



- Includes Cap.
- Used in conjunction with a vertical insulated chimney to provide easy access for inspection and cleaning.

Size	Product No.	Part No.	A	B	C	D	E
6"	266100	DSP6TE-1	5 <sup>29</sup> / <sub>32</sub> "	6½"	6"	13¾"	6"
8"	268100	DSP8TE-1	7 <sup>29</sup> / <sub>32</sub> "	8½"	8"	15¼"	7"

**For the complete DSP product listing, order our DSP catalog – SDSP002-E**



**Model DSP vs Single Wall Stove Pipe Comparison Chart**

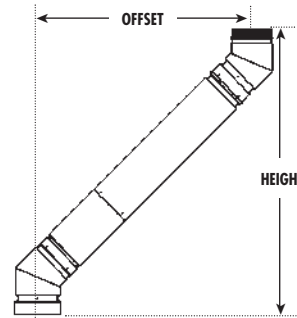
PRODUCT	TESTED & LABELED	MATERIAL	CLEARANCES TO COMBUSTIBLE	WARRANTY
MODEL DSP <b>DOUBLE WALL</b> STOVE PIPE	TO ULC S641	HEAVY GAUGE STAINLESS STEEL/ ALUMINIZED STEEL	6 INCHES	LIFETIME WARRANTY
SINGLE WALL STOVE PIPE	NOT TESTED OR LABELED	LIGHT GAUGE CARBON STEEL	18 INCHES	NO WARRANTY*

\* If a wood burning appliance is used every day during the heating season, surveys have shown that a single wall stove pipe will need replacement every two or three years.

# MODEL DSP OFFSET CHART

This chart has three columns for elbow angle required to achieve your desired offset. The first column ("Offset") is the horizontal measurement, at the chimney center line of the offset needed to get around an obstacle. The second column ("Height") is the height of the assembled offset elbow to the top of the return elbow. Column 3 shows the appropriate lengths required.

1. Determine the distance of the offset required.
2. On the chart, find the predetermined distance required for the 45° elbow under the corresponding chimney diameter.
3. After finding the offset, follow across the chart to find the specified height and appropriate chimney lengths required under their corresponding diameters.



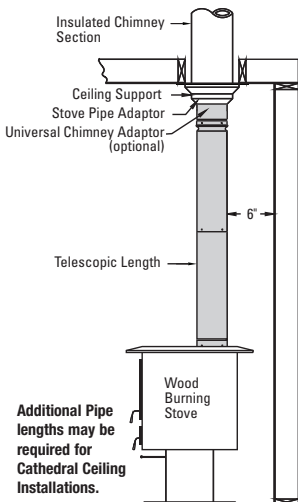
## 45 DEGREE OFFSET CHART

OFFSET			HEIGHT			LENGTHS REQUIRED BETWEEN ELBOWS					
6" Dia.	7" Dia.	8" Dia.	6" Dia.	7" Dia.	8" Dia.	6"	12"	AL	24"	36"	TL
6	6¾	6	13⅞	14½	14⅞						
9½	9¾	9¼	17	17¾	17¼	1					
13½	13¾	13¼	21⅞	22⅞	21¾		1				
16¾	16¾	15⅞	24⅞	25½	25¼	1	1				
17¼	17¾	17½	25¾	26¼	25⅞			1			
22¾	22	21½	29¼	30¼	30⅞				1		
25½	25¼	24	31½	33¼	34		1	1			
29⅞	31¼	30¾	38¾	37¾	38¾					1	
32⅞	31¾	32	40⅞	42½	41¾	1	1		1		
59¾	51	54½	60¼	60¼	60						1

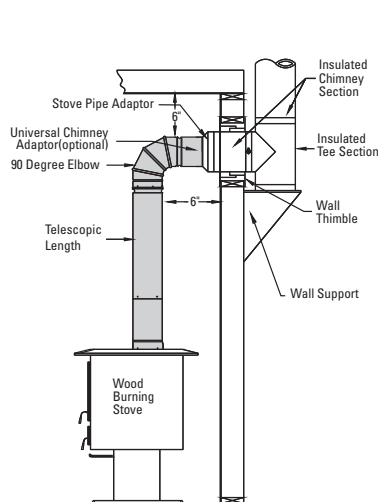
## Common Installations



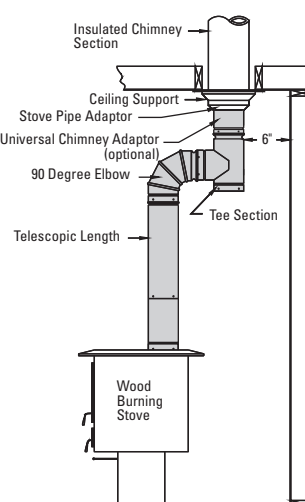
### VERTICAL INSTALLATION



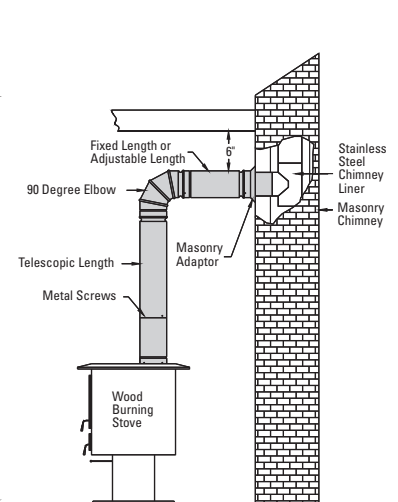
### THROUGH THE WALL INSTALLATION



### INSTALLATION WITH A CLEAN-OUT TEE



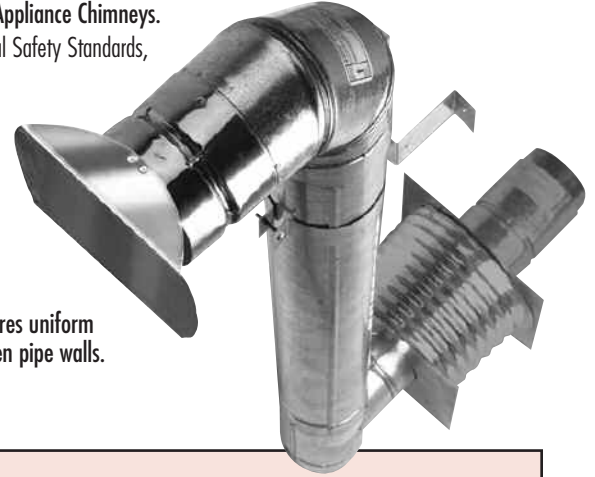
### INSTALLATION INTO A RELINED MASONRY



## MODEL VP Pellet Pipe™ for Pellet and Corn Appliances

Metalbestos® gives you the safe, efficient, and cost-effective venting system that's engineered precisely for pellet and corn burning stoves. Model VP Pellet Pipe has been tested and listed by Underwriters' Laboratories, Inc., in accordance with UL®-641 **Standard for Low Temperature Venting Systems**, as well as the applicable requirements from UL®-103 **Standard for Residential Type and Building Heating Appliance Chimneys**. Model VP Pellet Pipe, when installed according to Metalbestos® installation instructions, complies with National Safety Standards, such as NFPA-211. The system is rated for flue temperatures up to 570°F.

- Available in 3" and 4" diameters.
- Full line of fittings and full range of pipe lengths increase installation flexibility.
- Proven coupling joint connects in seconds to assure joint integrity.
- Gasketed joint design.
- Painted pipe lengths available for interior use.
- Inner wall 304 stainless steel, outer wall paintable galvanized.
- Rolled-over male end eliminates sharp edges.
- 3" clearance to combustibles.
- Removable tee cap for inspection and cleaning.
- Internal spacing bead assures uniform insulating air space between pipe walls.



### MINIMUM CLEARANCE TO COMBUSTIBLES

Metalbestos® Model VP Pellet Pipe™ may be installed with a minimum 3" air space clearance to combustible surfaces, such as framing lumber, drywall, plywood, or other building materials. Model VP Pellet Pipe™ may be exposed in occupied areas and painted pipe lengths help make your venting system an attractive accent to your interior decor. However, your venting system should be enclosed whenever it passes through closets, storage rooms, or accessible attics to ensure that the minimum 3 inch air space clearance is maintained. This is particularly true in attics where cellulose-type or other blown-in Insulation materials could settle against the exposed vent pipe.

It is also advisable to provide an enclosed chase for exterior vent systems to aid in reducing condensation and to protect the pipe from cold outdoor temperatures. Model VP Pellet Pipe™ features a proven joint design that allows for easy assembly. Special rope gaskets incorporated into the joint reduce leakage and help to minimize any accumulation of combustion powder residues. In addition, Model VP Pellet Pipe™ is listed for use with an optional, high temperature silicon sealant which enhances the integrity of the joint assembly. Selkirk® is the world's leading manufacturer of venting and air distribution products for residential, commercial, and industrial use. Model VP Pellet Pipe™ vent for pellet stoves is just one of the family of fine products sold worldwide. Selkirk® – it's a name you can rely on.

### Thru-the-Wall Pellet Stove Kits

The 3VP Thru-the-Wall Pellet Kit has the following:

- 1 Horizontal Cap
- 1 90° Elbow
- 1 Wall Bracket
- 5 One-foot Pipe Lengths
- 1 Tee with Cleanout
- 1 Wall Thimble
- 1 Pipe Connector

Product No.	Part No.
283870	3VP-KIT

The 3/4VP Thru-the-Wall Pellet Kit has the following:

- 1 - 4" Horizontal Cap
- 1 - 4" 90° Elbow
- 1 - 4" Wall Bracket
- 5 - 4" One-foot Pipe Lengths
- 1 - 4" Tee with Cleanout
- 1 - 4" Wall Thimble
- 1 - 4" Tee Support
- 1 - 3" to 4" Pellet Increaser
- 1 - 4" Pipe Connector
- 1 - 3" Pipe Connector

Product No.	Part No.
284875	3/4VP-KIT

### Pellet Fireplace Insert Kits

4" Pellet Vent Flex Kit has the following:

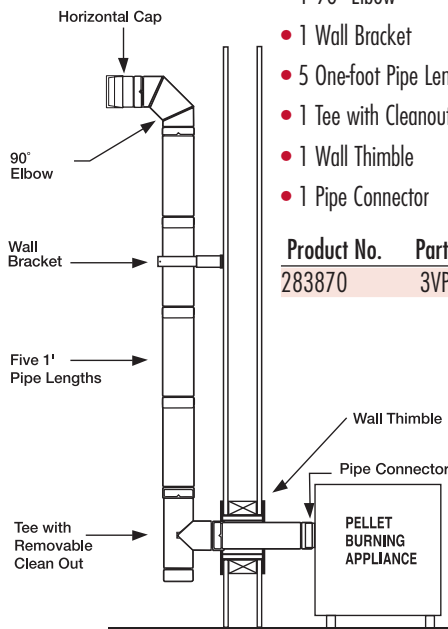
- 35' of 4" diameter stainless flex
- 4" flex termination
- 4" flex flashing adapter
- 4" flex flashing
- 3" - 4" Pellet Increaser
- 3" Pellet Tee
- 3" Pellet Pipe Connector
- Silicone sealant

Product No.	Part No.
284865	4VP-35IK

3" Pellet Vent Flex Kit has the following:

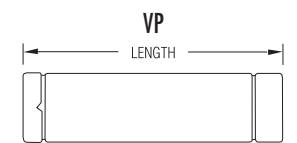
- 25' of 3" diameter stainless flex
- 3" flex termination
- 3" flex flashing adapter
- 3" flex flashing
- 3" Pellet Tee
- 3" Pellet Pipe Connector
- Silicone sealant

Product No.	Part No.
283865	3VP-25IK

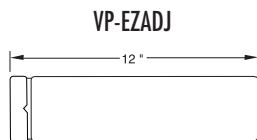


# MODEL VP PARTS GUIDE

## Vent Pipe & Adjustable Pipe Lengths



I.D.: 3", 4"  
Lengths: 6", 1', 2', 3', 5'  
VP PIPE & FITTINGS OVERLAP 1 1/2" WHEN JOINED HENCE, NET ASSEMBLED LENGTH IS 1 1/2" LESS THAN LISTED LENGTHS (3' AND 5' LENGTHS AVAILABLE IN BLACK)

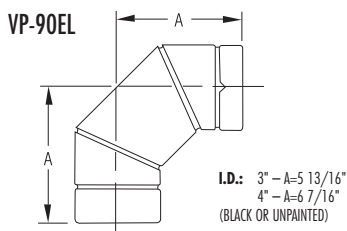


I.D.: 3", 4"  
MAX. INSTALLED LENGTH TO 1/2" ADJUST TO 8" SHORTER (BLACK OR UNPAINTED)

Item Description	3" Diameter		4" Diameter	
	Product No.	Part No.	Product No.	Part No.
5' Length — Black	243060B	3VP-60B	244060B	4VP-60B
5' Length	243060	3VP-60	244060	4VP-60
3' Length — Black	243036B	3VP-36B	244036B	4VP-36B
3' Length	243036	3VP-36	244036	4VP-36
2' Length	243024	3VP-24	244024	4VP-24
12" Length	243012	3VP-12	244012	4VP-12
6" Length	243006	3VP-6	244006	4VP-6

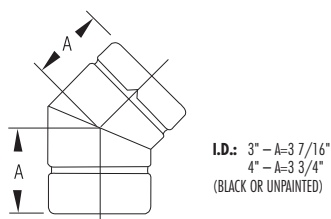
Item Description	3" Diameter		4" Diameter	
	Product No.	Part No.	Product No.	Part No.
12" Adj. Length — Black	243082B	3VP-12 adj. B	244082B	4VP-12 adj. B
12" Adj. Length	243082	3VP-12 adj.	244082	4VP-12 adj.
12" EZ Adj. — Black	243086B	3VP-EZAJ12B	244086B	4VP-EZAJ12B
12" EZ Adj.	243086	3VP-EZAJ12	244086	4VP-EZAJ12

## 90° Elbow



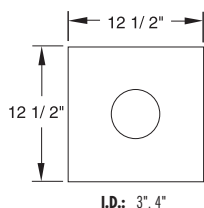
Item Description	3" Diameter		4" Diameter	
	Product No.	Part No.	Product No.	Part No.
90° Elbow — Black	243230B	3VP-90°ELB	244230B	4VP-90°ELB
90° Elbow	243230	3VP-90°EL	244230	4VP-90°EB

## 45° Elbow



Item Description	3" Diameter		4" Diameter	
	Product No.	Part No.	Product No.	Part No.
45° Elbow — Black	243215B	3VP-45°ELB	244215B	4VP-45°ELB
45° Elbow	243215	3VP-45°EL	244215	4VP-45°EL

## Trim Plate & Exterior Shield

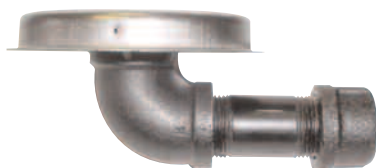


Item Description	3" Diameter		4" Diameter	
	Product No.	Part No.	Product No.	Part No.
Trim Plate — Black	243502	3VP-TP	244502	4VP-TP
Exterior Shield	243500	3VP-ES	244500	4VP-ES

VP-TP (BLACK)

VP-ES (UNPAINTED)

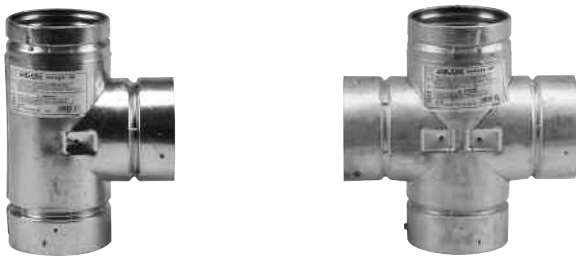
## Vacuum Cleanout Cap



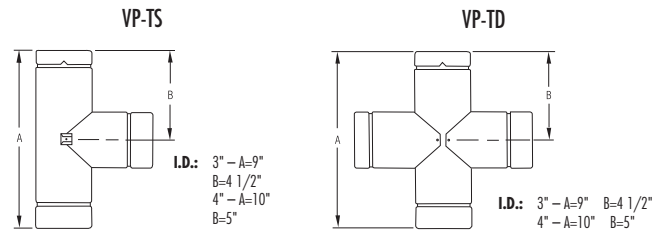
Installs on base of Tee and replaces Tee Cap.

Item Description	Product No.	Part No.
3" Vacuum Cleanout Cap	243185	3VP-VCC
4" Vacuum Cleanout Cap	244185	4VP-VCC

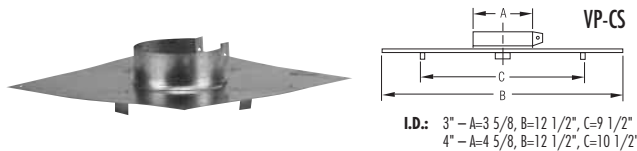
**Tee & Double Tee w/ Tee Cap**



Item Description	3" Diameter Product No.	Part No.	4" Diameter Product No.	Part No.
Tee w/Tee Cap—Black	243100B	3VP-TSB	244100B	4VP-TSB
Tee w/Tee Cap	243100	3VP-TS	244100	4VP-TS
Double Tee w/Cap	243103	3VP-TD	244104	4VP-TD

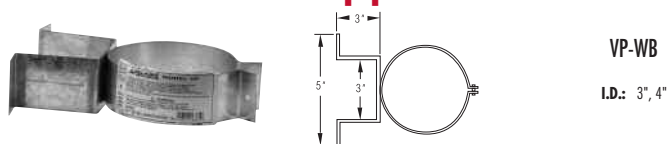


**Ceiling Support/ Firestop**



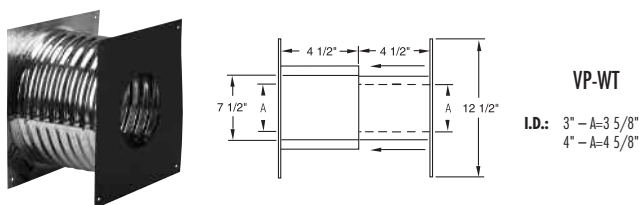
Item Description	3" Diameter Product No.	Part No.	4" Diameter Product No.	Part No.
Ceiling Support/Firestop	243410	3VP-CS	244410	4VP-CS

**Wall Bracket/ Support**



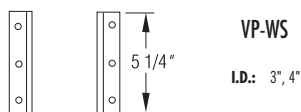
Item Description	3" Diameter Product No.	Part No.	4" Diameter Product No.	Part No.
Wall Support/Support	243520	3VP-WB	244520	4VP-WB

**Wall Thimble**



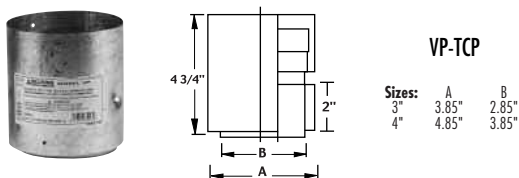
Item Description	3" Diameter Product No.	Part No.	4" Diameter Product No.	Part No.
Wall Thimble	243460	3VP-WT	244460	4VP-WT
Wall Thimble, Thick	243461	3VP-WTT	244461	4VP-WTTT

**Tee Support**



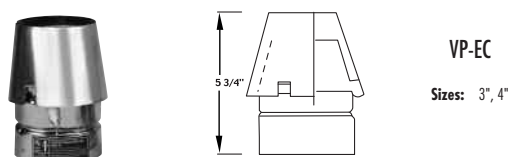
Item Description	Product No.	Part No.
Tee Support	243430	3/4VP-WS

**Thick Collar Pipe Connector**



Item Description	3" Diameter Product No.	Part No.	4" Diameter Product No.	Part No.
Thick Collar Pipe Connector	243242	3VP-TPC	244242	4VP-TPC

**Exit Cap**



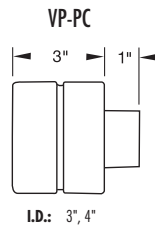
Item Description	Product No.	Part No.
3" Exit Cap	243803	3VP-EC
4" Exit Cap	244803	4VP-EC

**3" to 4" Increaser**



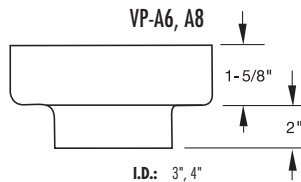
Item Description	Product No.	Part No.
3" to 4" Increaser	243304	3VP-14

**Pipe Connector**



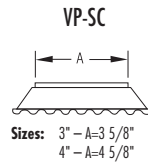
Item Description	3" Diameter		4" Diameter	
	Product No.	Part No.	Product No.	Part No.
Pipe Connector	243240	3VP-PC	244240	4VP-PC
Pipe Connector — Black	243240B	3VP-PCB		

**Chimney Adapter**



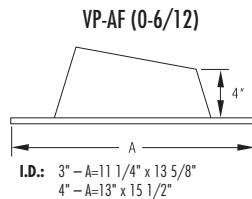
Item Description	3" Diameter		4" Diameter	
	Product No.	Part No.	Product No.	Part No.
6" SSII Adapter	243246	3VP-A6	244246	4VP-A6
8" SSII Adapter	243248	3VP-A8	244248	4VP-A8

**Storm Collar**



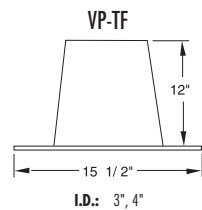
Item Description	3" Diameter		4" Diameter	
	Product No.	Part No.	Product No.	Part No.
Storm Collar	243810	3VP-SC	244810	4VP-SC

**Adjustable Flashing**



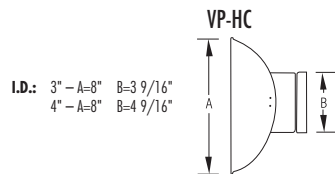
Item Description	3" Diameter		4" Diameter	
	Product No.	Part No.	Product No.	Part No.
Adj. Flashing	243825	3VP-AF	244825	4VP-AF

**Tall Cone Flashing**

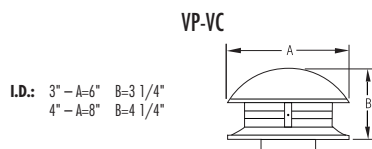


Item Description	3" Diameter		4" Diameter	
	Product No.	Part No.	Product No.	Part No.
Tall Cone Flashing	243815	3VP-TF	244815	4VP-TF

**Horizontal & Vertical Terminations**



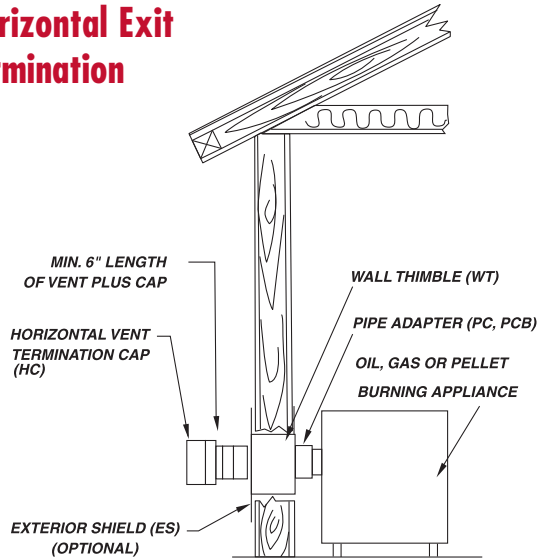
Item Description	3" Diameter		4" Diameter	
	Product No.	Part No.	Product No.	Part No.
Vertical Termination	243800	3VP-VC	244800	4VP-VC
Horizontal Termination	243805	3VP-HC	244805	4VP-HC



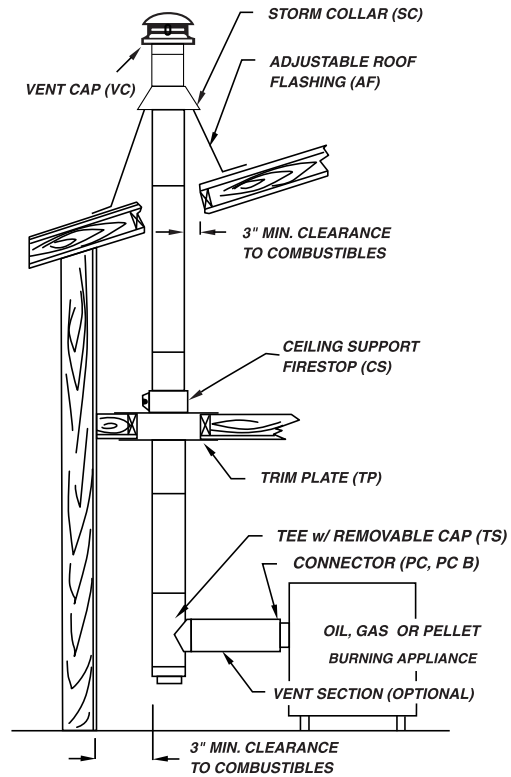
# COMMON MODEL VP INSTALLATIONS

The following illustrations detail the most common types of Model VP installations and the variety of parts required.

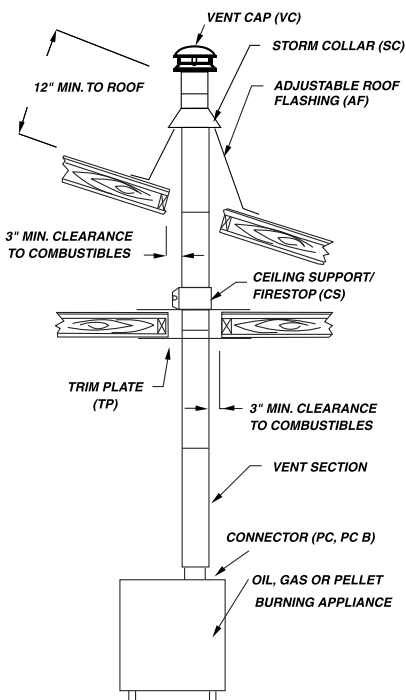
## Horizontal Exit Termination



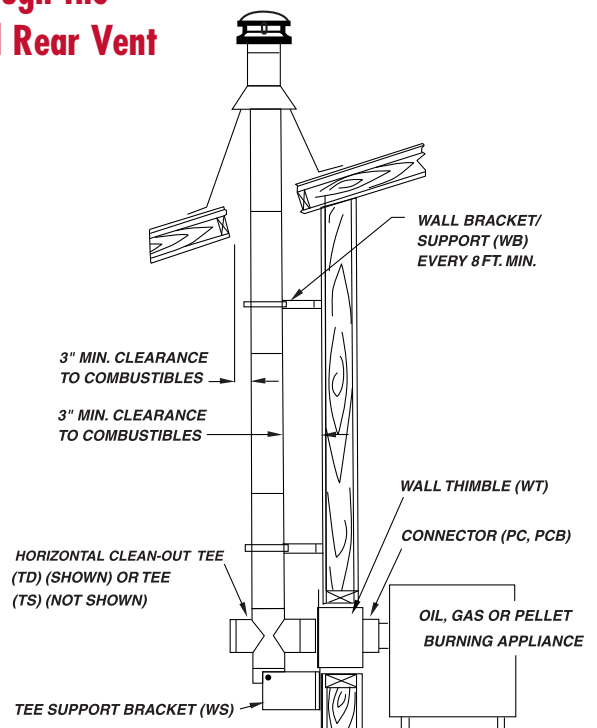
## Through the Ceiling Rear Vent



## Through the Ceiling Top Vent



## Through the Wall Rear Vent



#### WORLD HEADQUARTERS

P.O. Box 831950  
Richardson, Texas 75083-1950  
(800) 992-8368 (VENT)  
Toll Free Fax: (877) 393-4145  
www.selkirkusa.com

#### SALES OFFICES & CUSTOMER SERVICE

##### UNITED STATES

P.O. Box 831950  
Richardson, Texas 75083-1950  
(800) 992-VENT (8368)  
Toll Free Fax: (877) 393-4145

##### CANADA

375 Green Road  
Stoney Creek, Ontario  
Canada L8E 4A5  
(905) 662-6600  
Fax: (905) 662-5352  
www.selkirkcanada.com

#### RESEARCH & DEVELOPMENT

##### REGISTER & GRILLE R&D

2525 Tarpley Road Suite 104  
Carrollton, Texas 75006  
(214) 390-8100  
Fax: (214) 390-8200

##### VENTING R&D

St. Rt. 93 N. & Sutton Rd.  
Logan, Ohio 43138  
(740) 385-5666  
Fax: (740) 385-2483

#### MANUFACTURING

##### UNITED STATES

1820 E. Fargo Ave.  
Nampa, Idaho 83687-6824  
(208) 467-7411  
Fax: (208) 467-7412

7571 West Highway 153  
P.O. Box 427  
Winters, Texas 79567  
(325) 754-4571  
Fax: (325) 754-4764

##### CANADA

1400 California Ave.  
P.O. Box 160, Brockville, Ontario  
Canada K6V 5V3  
(613) 342-6655  
(800) 267-8178  
Fax: (613) 342-2735

##### MEXICO

Justo Sierra Y 2 da Avenida  
Ojinaga, Chihuahua, Mexico  
011 52 (626) 453-2884/85  
Fax: 011 52 (626) 453-2886

#### TECHNICAL SUPPORT

##### REGISTER, GRILLE & DIFFUSER

(214) 390-8100  
Fax: (214) 390-8200  
Email: [Airmatesupport@selkirkinc.com](mailto:Airmatesupport@selkirkinc.com)

##### CHIMNEY & VENTING

US - (800) 848-2149 ext. 2212  
Fax: (740) 385-2483  
Email: [Metalbestosupport@selkirkinc.com](mailto:Metalbestosupport@selkirkinc.com)  
CANADA - (888) SELKIRK (735-5475)  
Fax: (866) 835-9624  
Email: [info@selkirkcanada.com](mailto:info@selkirkcanada.com)

## Two Components that are Revolutionizing the Venting Industry



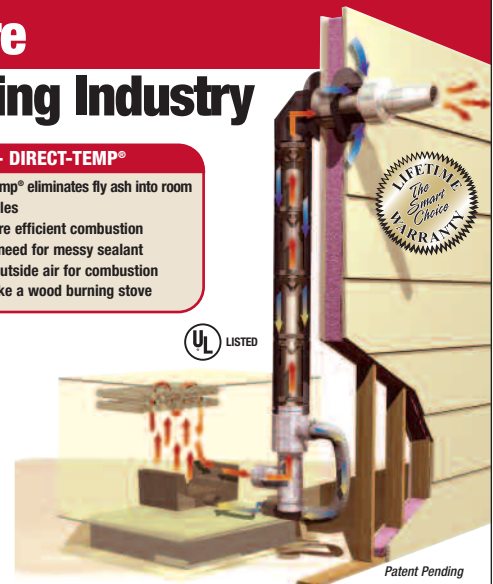
#### ADVANTAGES - DIRECT-TEMP®

- Inherent design of Direct-Temp® eliminates fly ash into room
- 1" clearance to combustibles
- Preheats intake air for more efficient combustion
- Gasketed joints eliminate need for messy sealant
- One installation includes outside air for combustion
- Single stack looks more like a wood burning stove

#### Selkirk's New Direct Vent System for Pellet Appliances

Selkirk's revolutionary Direct-Temp® direct vent system for gas appliances is now also UL listed for pellet burning appliances. Our two new innovative components will allow you to convert any pellet appliance into a simpler, cleaner and more efficient direct vent system.

Our engineers set out to surpass the performance requirements of the industry with unique features found only in our direct vent system. Direct-Temp® is ideal for both sidewall and through-the-roof venting solutions, and has been engineered for optimum appliance performance.



UL LISTED

LIFETIME  
WARRANTY  
The  
Smart  
Choice

Patent Pending

**SELKIRK**  
www.selkirkusa.com • 800.992.8368

### FIELD TECHNICAL SERVICES

To assist users of our products, Metalbestos® venting specialists throughout the U.S. conduct field investigations to help solve unusual venting problems. They also give assistance on building code and materials approval questions.

For complicated projects, our technical staff can prepare detailed take-offs from architectural drawings. And, the Selkirk seminars are still another valuable field aid available to contractors, building officials and utility service people.

### FACTORY ENGINEERING SERVICES

The Selkirk venting laboratory is one of the most advanced in the world and has conducted hundreds of tests to solve unusual venting problems. The Selkirk engineering staff provides design services for special product applications and for installations requiring complex or unusual manifold systems.

### TECHNICAL AIDS

The Metalbestos® Sizing Handbook is a comprehensive guide to correct venting with Metalbestos® gas vent and chimney parts. This handbook contains detailed vent capacity tables for individual or combined systems, complete design information and illustrations for each type of venting problem.

In addition, the company provides complete parts catalogs, price sheets and illustrated installation instructions for all products.



Selkirk L.L.C. offers customers a Lifetime Limited Warranty on all Metalbestos Venting Systems, subject to certain warranty conditions.

For a copy of the warranty, please contact us or visit our web site.

**www.selkirkusa.com**  
**800-992-8368 (VENT)**

**SELKIRK**

**SELKIRK L.L.C.** is a leading manufacturer of venting products for residential, commercial and industrial applications. Current operations include locations in the United States, Canada and Mexico. SELKIRK L.L.C. has been supplying the finest venting products for over 80 years.